



YOUR KITCHEN OUTDOORS

CLASSICS COLLECTION  
INSTALLATION MANUAL



*Watch our Step by Step  
Installation Videos*



**Questions?**

Call Urban Bonfire for assistance: 1 (866) 898-5354

# Table of Contents

<b>Steps for a Successful Installation</b>	<b>04</b>
Prepare the Site	04
Planning for Equipment	04
Planning for Services (Gas/Electrical/Plumbing)	05
Before Unpacking your Kitchen	06
<b>Tools &amp; Items</b>	<b>08</b>
Outdoor Kitchen	08
Countertop	09
<b>Summary</b>	<b>10</b>
Outdoor Kitchen Components	10
Countertop Pieces	11
<b>Installation Protocol</b>	<b>12</b>
Installing Base Cabinets	12
Leveling the Kitchen	22
Installing Countertop	23
Installing the Appliances	28
Siliconing the Appliance and Countertop Seams	30
Installing the Faucet & Sink	32
Final Adjustments	34
Adjusting the Accessories	38
<b>Care and Maintenance Guide</b>	<b>41</b>

# STEPS FOR A SUCCESSFUL INSTALLATION

Please read these important points as they will greatly facilitate the entire Urban Bonfire kitchen installation process.

---

## 1. Prepare the Site

- 1.1 Your Urban Bonfire kitchen should always be installed on a stable surface (patio/deck/balcony/roof) which should be as near to level as drainage requirements allow.
- 1.2 All Urban Bonfire cabinets come standard with adjustable stainless steel legs. However, in instances of extreme slope, or very large kitchens, footings may be needed to compensate if it falls out of the adjustable range of the legs.  
  
Your kitchen has been designed to be freestanding and does not need to be affixed to the ground/wall. For extreme environments, such as high wind areas, we suggest that your kitchen be secured to an appropriate support structure. Please consult with your contractor/engineer for specifics.
- 1.3
- 1.4 Verify with your contractor/engineer to ensure that the surface is designed to support the weight of the kitchen.

## 2. Planning for Equipment

- 2.1 Although your Urban Bonfire kitchen is made of non-combustible materials and, as such, does not require insulating jackets for the equipment, gas and live fire appliances have very specific restrictions for safe installation and use, which can vary from one jurisdiction to another. Please review the owner's manuals for all appliances before installation and ensure the work is done by a professional in accordance with local codes.
- 2.2 Your kitchen has been designed for a specific appliance. Before ordering your equipment, please verify that it matches with the model number listed on your final kitchen design document.

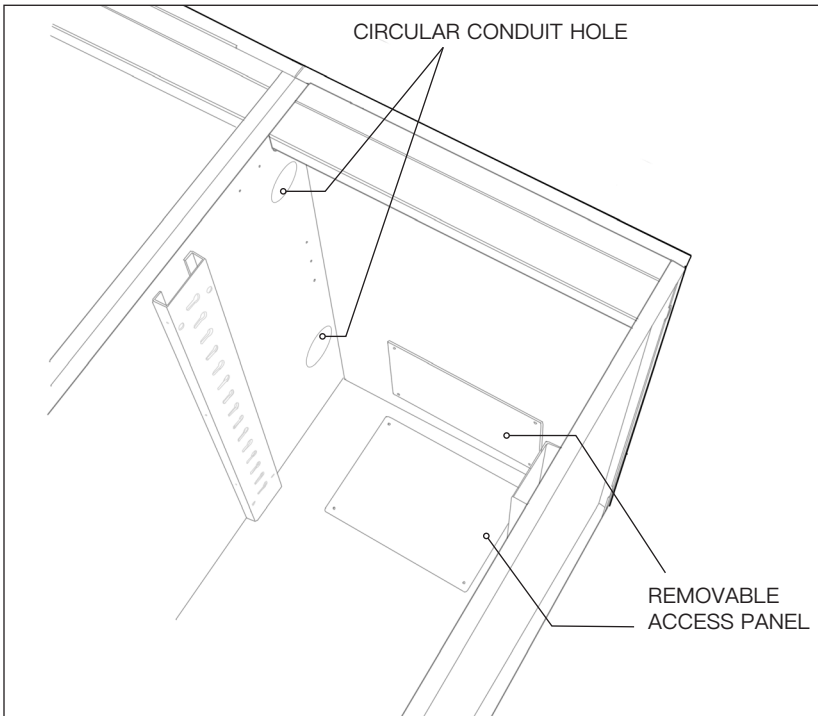
**Note: Equipment is sold separately. Urban Bonfire does not provide appliances.**

### 3. Planning for Services (Gas/Electrical/Plumbing)

Conduit holes and access panels are included in most Urban Bonfire cabinets to make service planning and implementation as easy as possible.

For specific locations of these points within the cabinets, please refer to our library of AutoCAD and SketchUp files in our Resources section at [urbanbonfire.com/resources](http://urbanbonfire.com/resources).

As with equipment, local codes have specific requirements and restrictions for all services. **Please ensure that planning and installation is performed by a locally licensed tradesperson.**

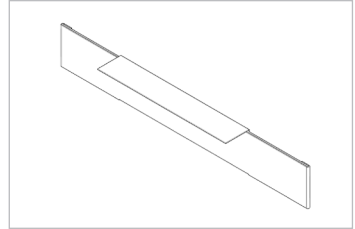


## 4. Before Unpacking your Kitchen

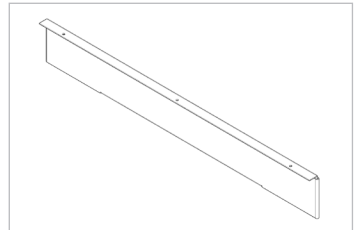
Your Urban Bonfire kitchen ships with cabinets fully assembled, making cabinet installation quick and straightforward. However, within the cabinets themselves there are accessories and smaller pieces that can easily be misplaced on a busy job site. As such, we suggest taking special care to locate these pieces during unpacking so that they can be set aside for when they are needed during the installation process.

In our experience, parts that can be lost in the shuffle include:

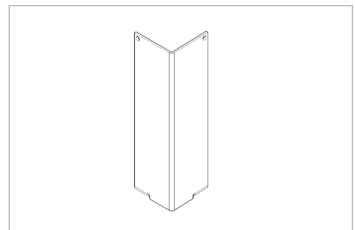
- **Front Toe Kicks** : Each cabinet includes **one** 2-piece front toe kick.



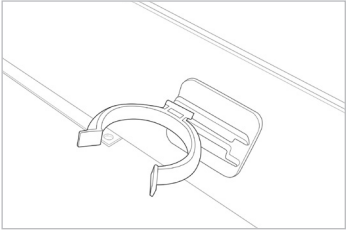
- **Toe Kicks for End Panel & for Finished Back Panel** : Each end panel will include **one**, 2-piece, toe kick. Cabinets with finished back panels will include a **one**, 2-piece, toe kick as well.



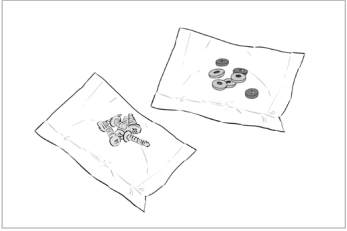
- **Corner Toe Kick** : Each end panel will include **two** toe kick corners.



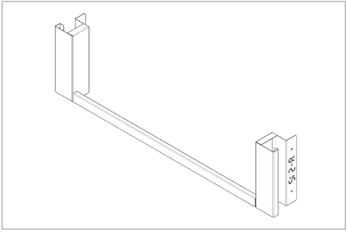
- **Toe Kick Clips** : These plastic clips allow the front toe kicks to be installed onto the cabinets legs. These are packed along with the installation hardware (screws/nuts/bolts) for each kitchen.



- **Extra hardware/magnets/bumpers** : Maintenance kit.



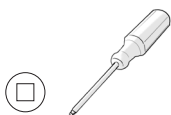
- **Trim Kit** : Allows the cabinet to professionally integrate with most major outdoor appliance brands and sizes.



# TOOLS & ITEMS – OUTDOOR KITCHEN

## Tools REQUIRED

---



Robertson #2 Screwdriver  
and/or drill bit



Phillips #2 Head Screwdriver  
and/or drill bit



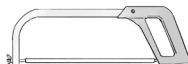
3/8 Wrench



Level



Right Angle Drill  
(recommended)



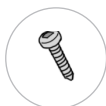
Metal Hacksaw



Masking Tape

## Items PROVIDED

---



#8 Screws



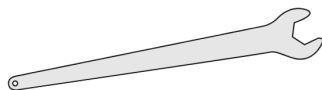
2" 8-32 Bolts



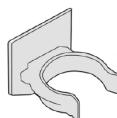
3" 8-32 Bolts  
**F** Cabinets only



Nuts



Leg Wrench



Toe Kick Clips



# TOOLS & ITEMS – COUNTERTOP

## Tools REQUIRED

---



Masking Tape



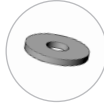
Silicone

## Items PROVIDED

---



M6 studs



Washers



Nuts (m6)



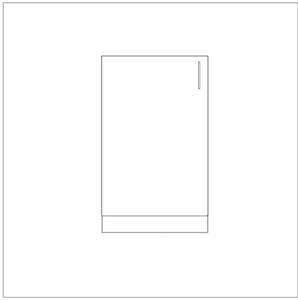
Allen Hex Key



Shims

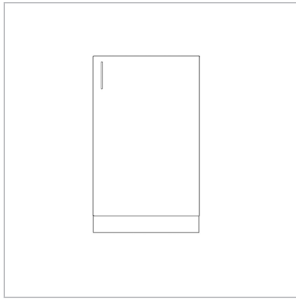
# SUMMARY

## Outdoor Kitchen Components



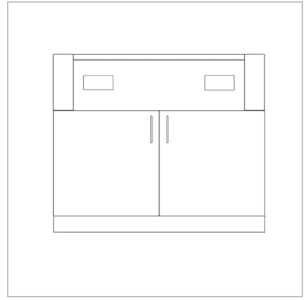
**A**

Utility Cabinet Left Hinge  
(21")



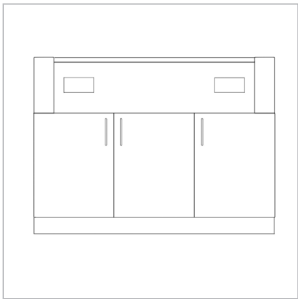
**B**

Utility Cabinet Right Hinge  
(21")



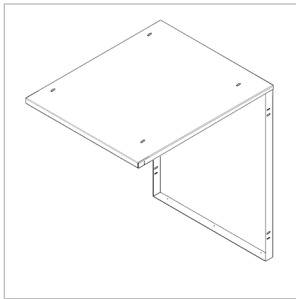
**C**

Grill Base Cabinet  
(42") includes a Trim Kit



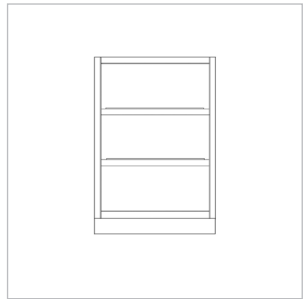
**D**

Grill Base Cabinet  
(48") includes a Trim Kit



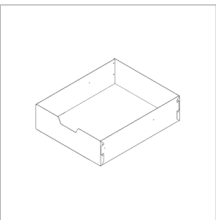
**E**

Kit for Refrigerator (24")



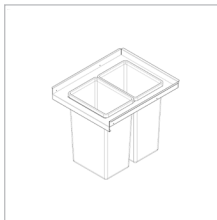
**F**

Open Shelf Cabinet  
(24")



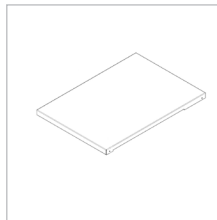
**G**

Heavy Duty Drawer



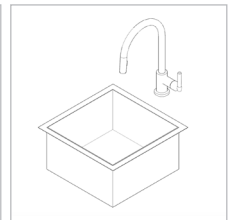
**H**

Refuse  
& Recycling Module



**I**

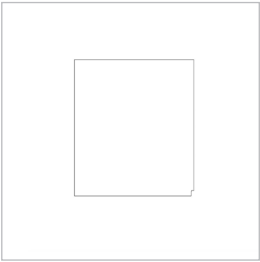
Full Depth Shelf



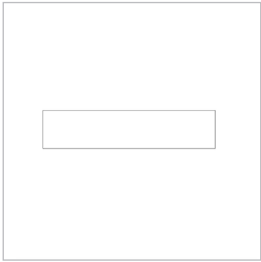
**J**

Sink & Faucet

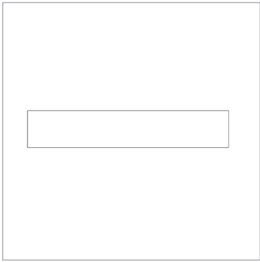
**Countertop Pieces**



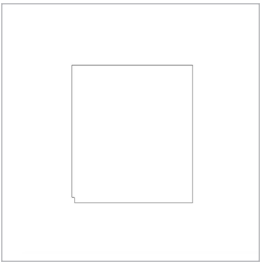
**TOP-A**



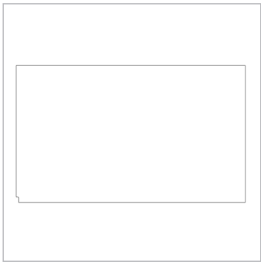
**TOP-B36-X**



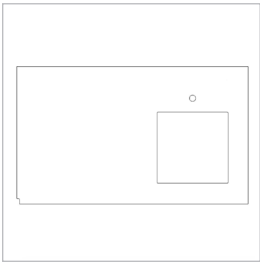
**TOP-B42-X**



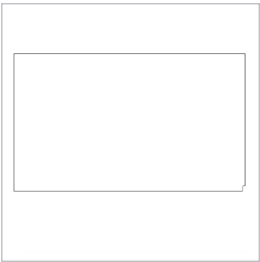
**TOP-C**



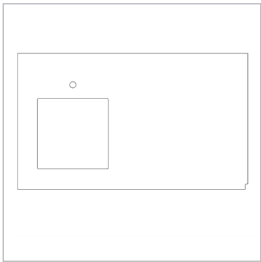
**TOP-D**



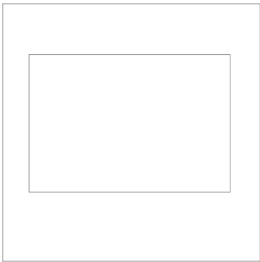
**TOP-DS**



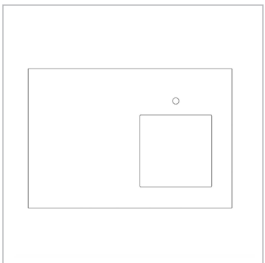
**TOP-E**



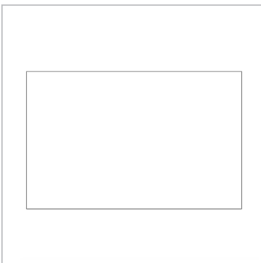
**TOP-ES**



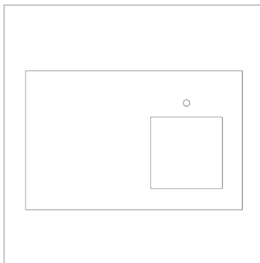
**TOP-F**



**TOP-FS**



**TOP-G**



**TOP-GS**

# INSTALLATION PROTOCOL

For safety, efficiency and best results, Urban Bonfire strongly suggests that installation be performed by **2 people**. For easy-to-follow videos of the installation protocol in this guide, please visit Urban Bonfire's YouTube channel.



## Installing Base Cabinets

### 1. Getting Started

---

**1.1** Measure out the installation area and mark the kitchen location (2D plan of your kitchen can be found in a plastic shipping envelope on the outside of the box).

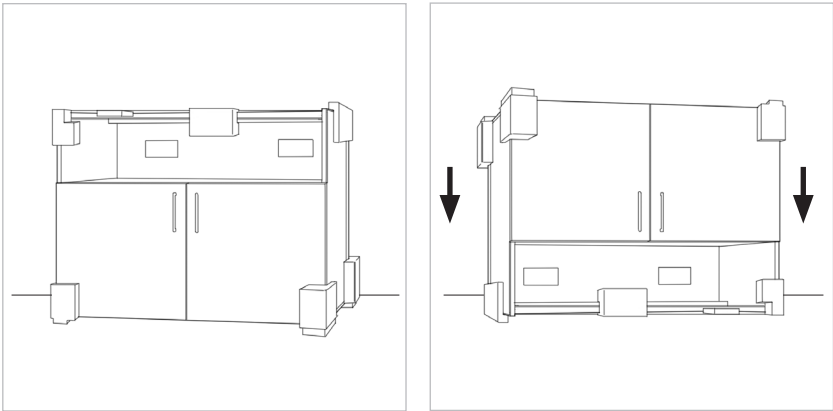
**1.2** Unpack your kitchen. Cabinets should be manipulated by 2 persons.

Each cabinet comes fully assembled and is packed in its own box, which is numbered corresponding to the final design plans.

i) Unbox the cabinets while leaving any shrink wrap and protective foam corners in place.

ii) Remove the internal components and any small boxes, when applicable, through the top of the cabinet (paying special attention to small parts listed on [page 06](#)).

1.3 Flip the cabinets upside down, resting them on the protective foam corners to avoid damage.

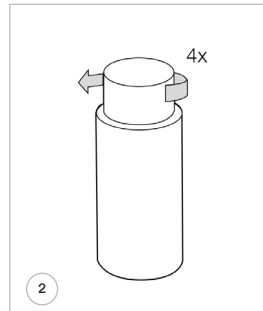
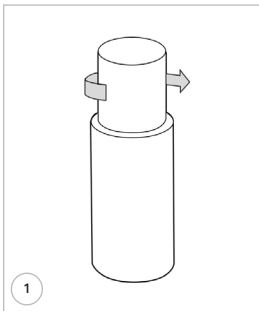


## 2. Cabinet Legs

---

2.1 Attach the stainless steel leveling legs to cabinets:

*For best results, Urban Bonfire strongly suggests starting with the leveling legs as low as possible, leaving the ability to raise them, to level, later in the process.*



- 1 Turn the leg clockwise until the leg is as short as it can be.
- 2 When the maximum is reached, stop and turn counterclockwise 4 times.

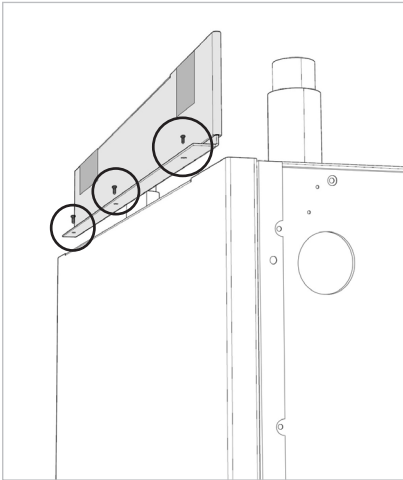


#### 4. Installing the Back Toe Kicks (if applicable)

---

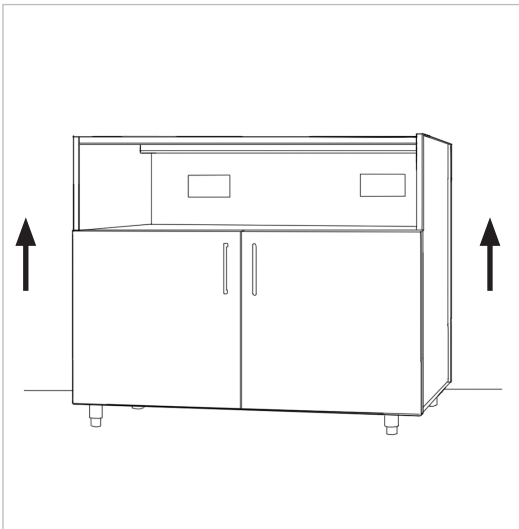
4.1 Back toe kicks are installed on cabinets featuring finished back panels in the same way as side toe kicks, using **n°8 screws** (step 3.1 on previous page).

**Do not overtighten and keep tape on toe kick**, as this will keep the sliding portion of the toe kick in place as the cabinets are being manipulated during the install process.



N°8 SCREW

4.2 Place cabinet right side up so it is standing on its legs.



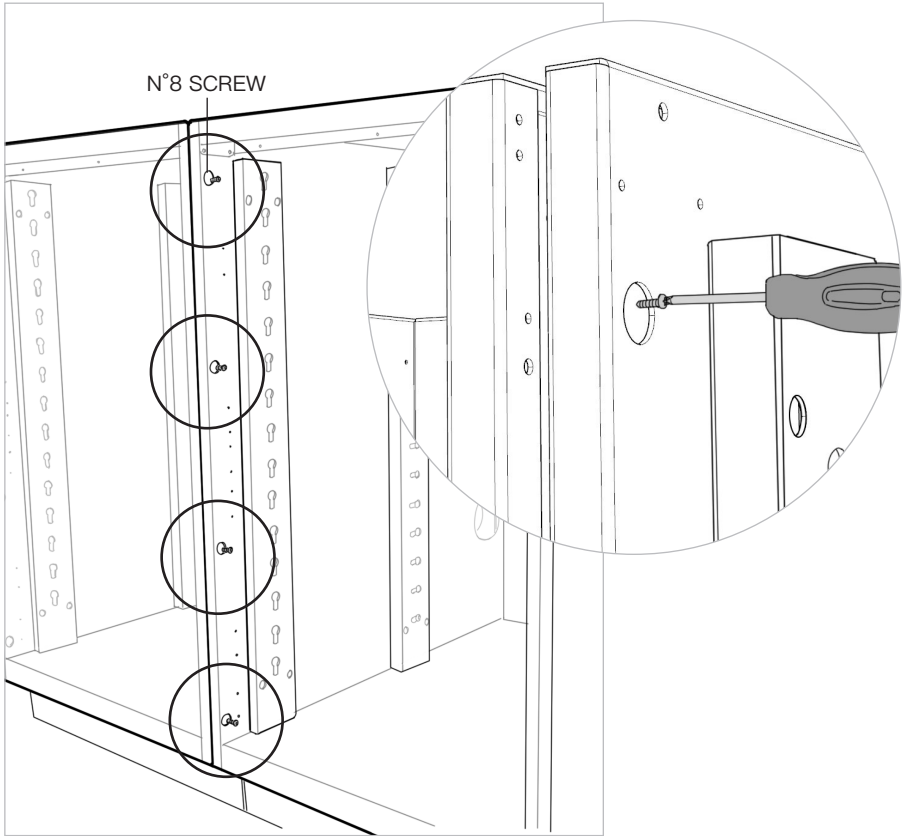
## 5. Attaching the Cabinets Together

---

5.1 Refer to **your specs sheet** (included in packing slip) to arrange your cabinets into proper layout by following the labels on each cabinet.

5.2 Connect cabinets to each other using four (4) n°8 screws in the front.  
**DO NOT OVERTORQUE.**

### Connecting Cabinet FRONTS

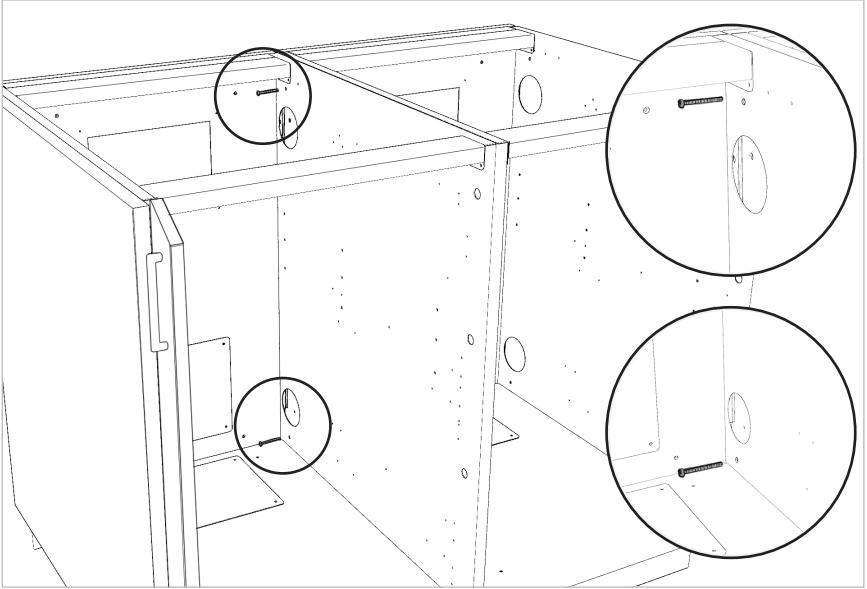


N°8 SCREW



5.3 Attach the back of the cabinets together using two (2) 2" long 8-32 bolts and nuts. This is done through the holes in located at the top and bottom of the back of the cabinets (see diagram below) For **F** cabinets, use the 3" long 8-32 bolts.

### Connecting Cabinet BACKS



2 IN. 8-32 BOLT

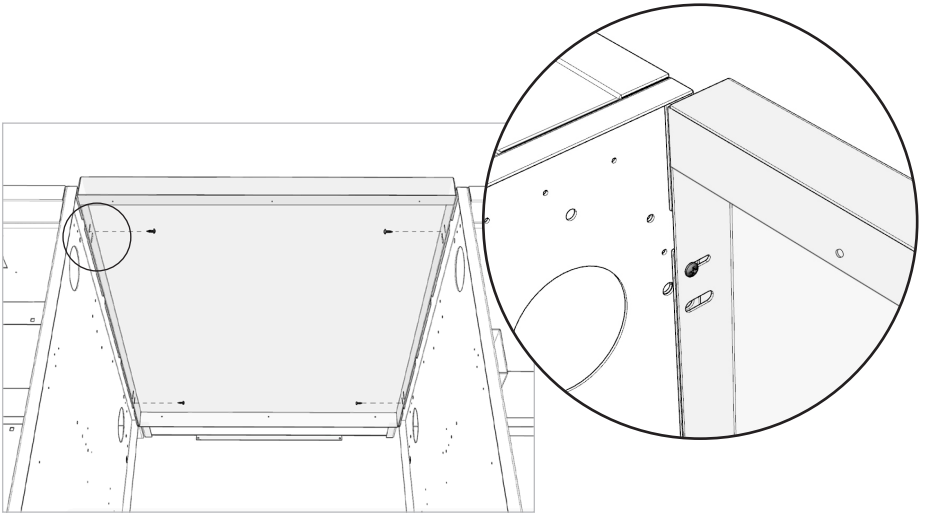


NUT

6. **E** Undercounter Appliance (if applicable)

---

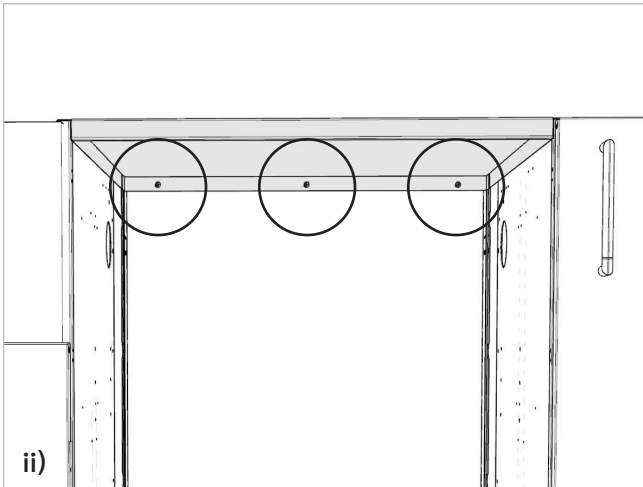
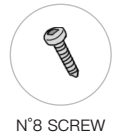
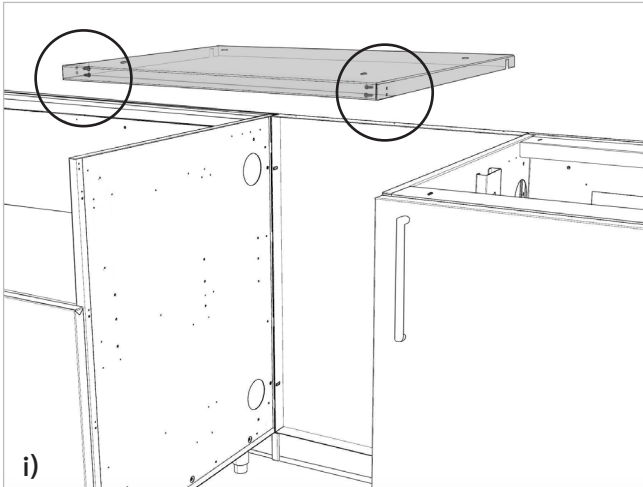
6.1 If your kitchen features undercounter refrigeration, install the Back Panel to the adjacent cabinets using (4) four n°8 screws. The screws should be installed towards the front. See in the below figure.



N°8 SCREW

**Note:** If your kitchen does not include finished back panels, it is normal that this fridge back panel will sit slightly behind the rest of the cabinets once installed.

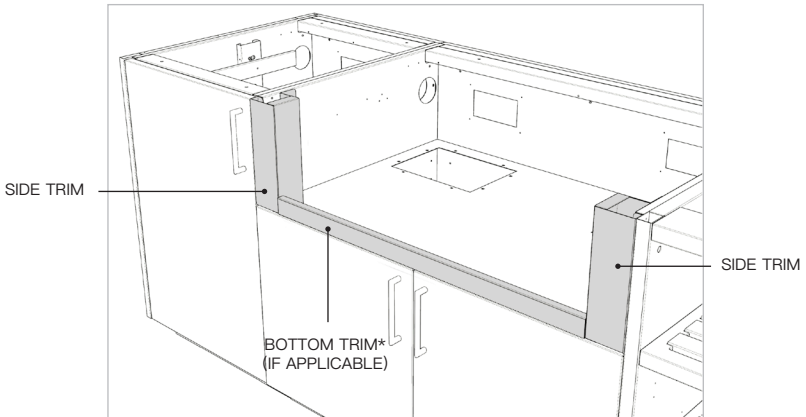
6.2 Install the top panel with the flat section facing up (it will be supporting the countertop), using seven (7) n°8 screws (two on each side and three at the back). Fasten from underneath.



## 7. Installing the Trim Kit

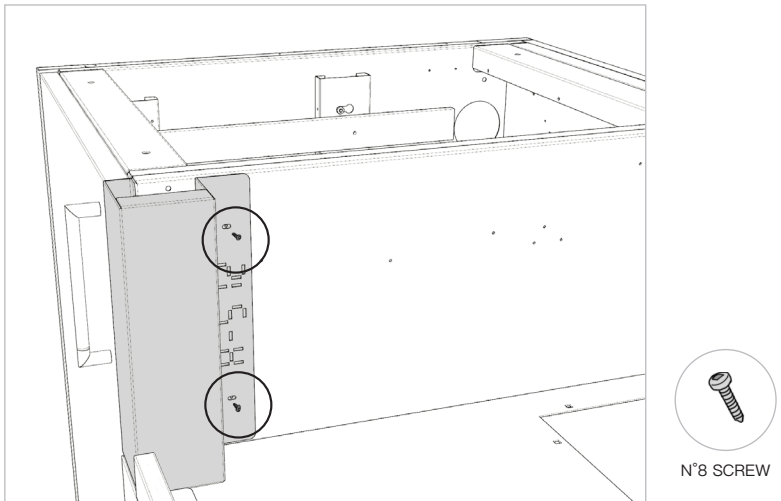
7.1 Remove the shipping bracket that is installed on the cabinet.

### Overview of a Trim Kit

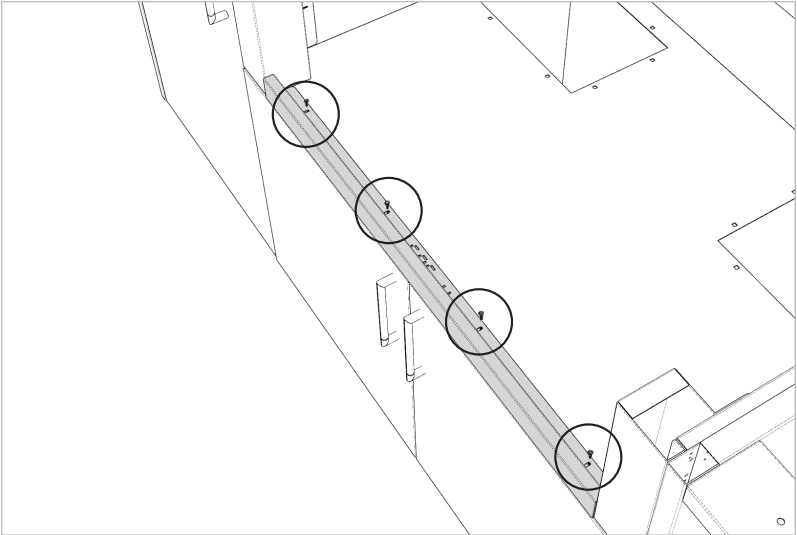


**Note :** Not all trim kits feature the bottom trim component, as this is dependent on the specific grill model.

7.2 Install the Side Trims to the grill base cabinet using n°8 screws on both side of the cabinet.



7.3 If applicable, fasten the Bottom Trim to the shelf of the cabinet using n°8 screws.



N°8 SCREW

## Leveling the Kitchen

Once all cabinets are attached together, make sure the whole kitchen is leveled properly.

For best results, Urban Bonfire strongly suggests starting with the leveling legs as low as possible, leaving the ability to raise them, to level, later in the process.

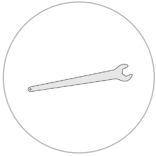
If your kitchen needs to be leveled, follow these helpful steps :



LEVEL

i) Using a **level**, locate the cabinet which is sitting the highest. This will let you know the high point of the floor.

ii) Using a level, adjust the feet so that this, highest, cabinet is sitting perfectly level with all four of its feet firmly on the floor (use the **leg wrench**, if needed, when adjusting the back legs of the cabinets). This will be your starting point.



LEG WRENCH

iii) Using a level, work outwards from this starting point, one cabinet at a time, raising the adjustable feet as needed to ensure each subsequent cabinet is raised to the same height as the starting point.

iv) Ensure ALL four legs for each subsequent cabinet are firmly on the floor.

v) Using a level, verify that the entire kitchen is now level.

*Proper leveling is important since it will create a flat surface for countertop installation. It will also create even gaps between adjacent doors and drawers.*

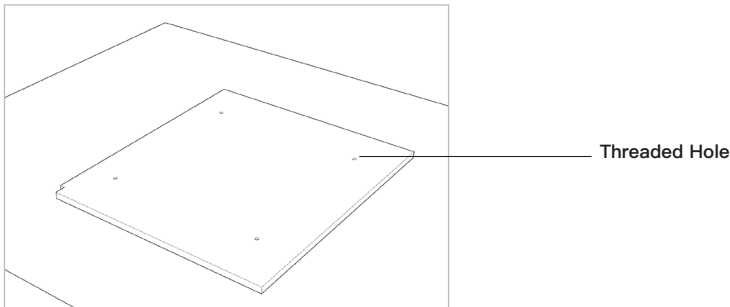
## Installing Countertop

Once your cabinets are fully leveled and secured, your kitchen is ready to receive countertop.

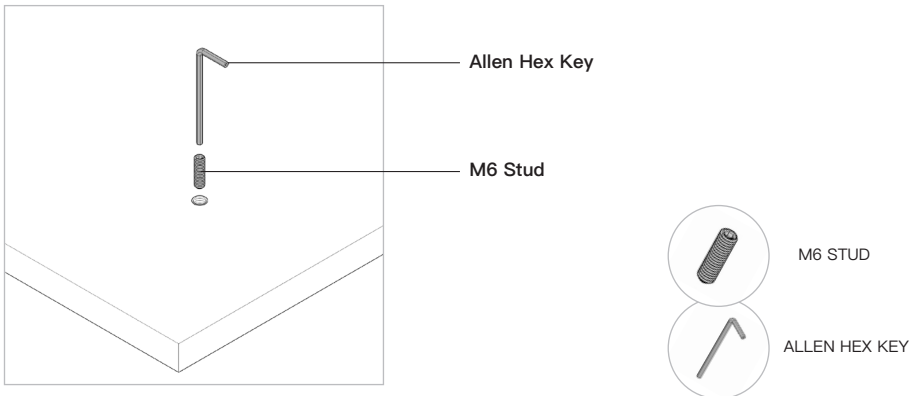
Take extra care when manipulating the countertop pieces as they are fragile. Make sure to transport the pieces vertically, with at least two people.



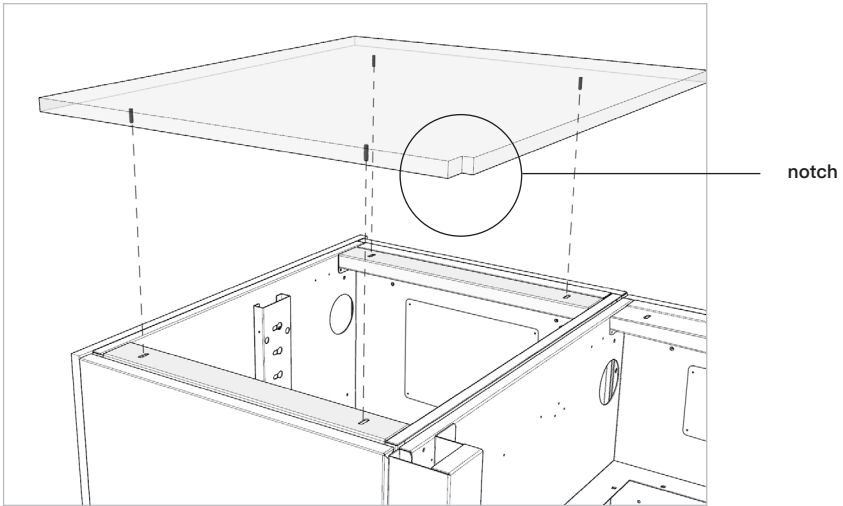
1.1 Starting with the piece that is going on the **left of the kitchen**, place it on a protected surface, threaded holes facing up.



1.2 Using an **Allen Hex Key** (provided), screw the **M6 studs** into each threaded hole.

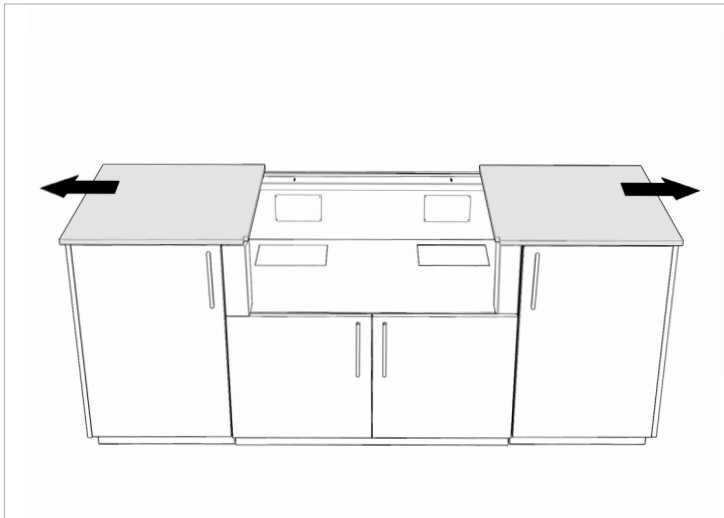


1.3 Install the countertop piece on the kitchen by carefully moving it around until the M6 studs align into the cabinet slots. **If the counter piece has a notch, make sure the notch is on the front of the kitchen.**



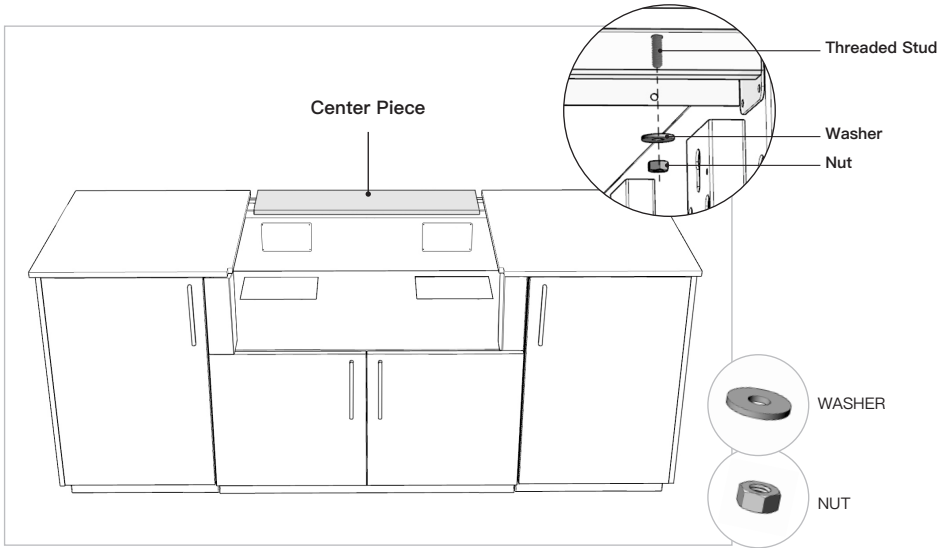
1.4 Repeat the previous steps for the counter piece that is going on the right of the kitchen.

1.5 If your layout features a grill, push each of the side sections slightly outward to allow for the center counter piece to be moved into place. **If your layout does not feature a grill, proceed to step 1.9 on page 26.**



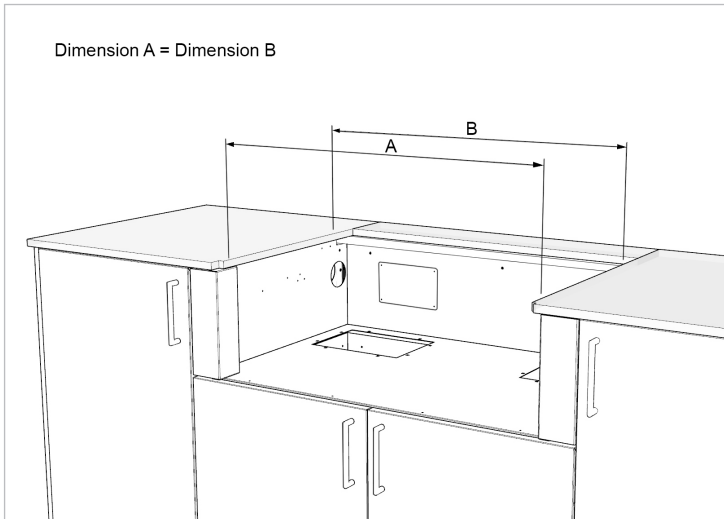


1.6 Place the center piece and loosely attach it with the provided washers and nuts.

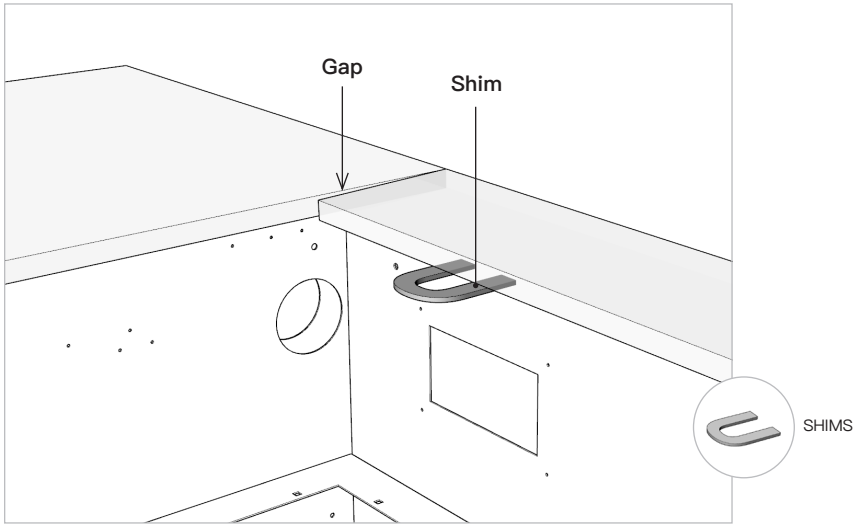


1.7 Adjust entire countertop front and back overhang as needed based on your configuration.

1.8 Carefully bring in the pieces towards the center piece. **Make sure that the width opening for appliance is consistent, from front to back (see diagram below).**

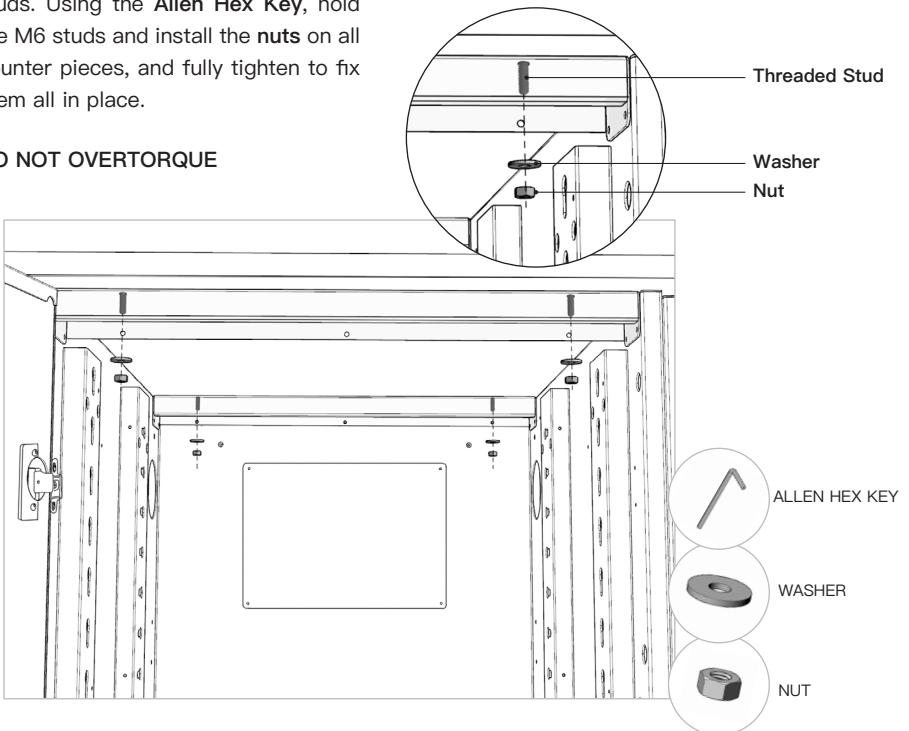


1.9 Adjust with **shims** (provided) if necessary.



1.10 Install the **washers** to the M6 studs. Using the **Allen Hex Key**, hold the M6 studs and install the **nuts** on all counter pieces, and fully tighten to fix them all in place.

**DO NOT OVERTORQUE**

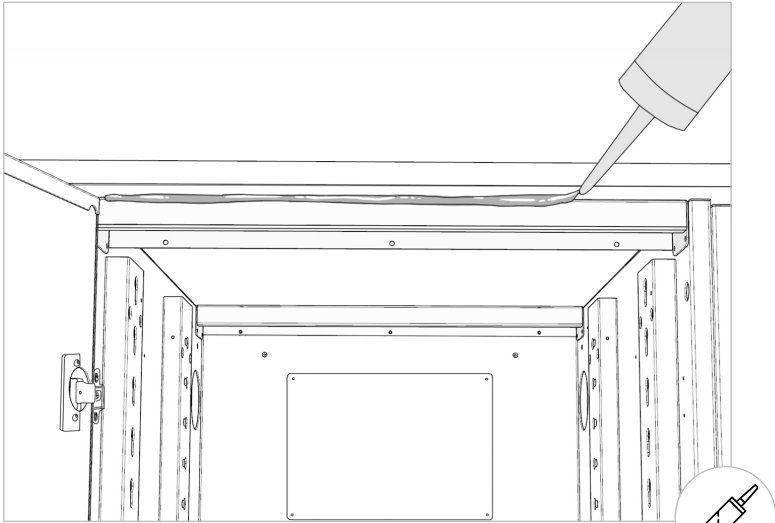


---

## PRO-TIP

---

Although our cabinetry is fully enclosed, a bead of silicone can be added around the perimeter of the kitchen to optimize the prevention of water infiltration.



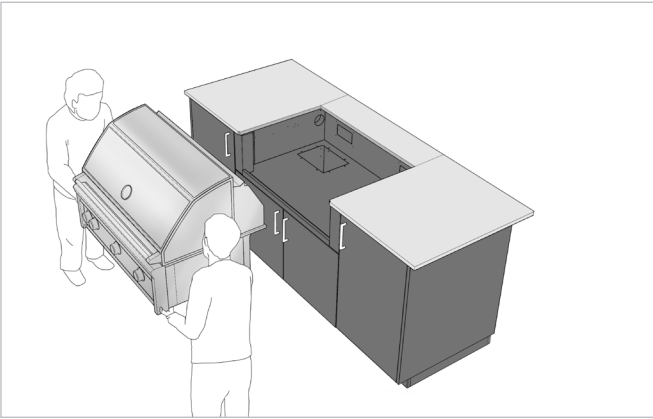
SILICONE

## Installing the Appliances

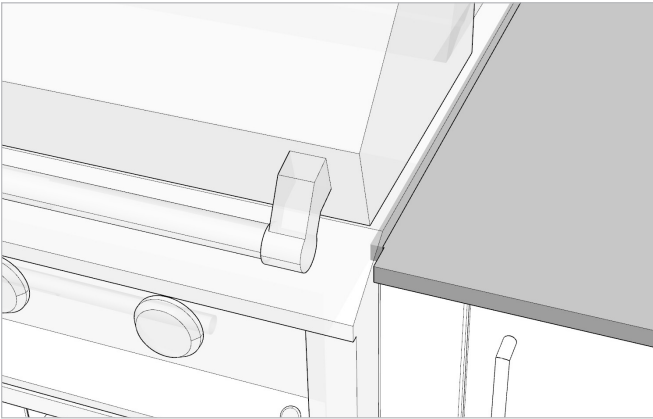
### 1. Grill

The built-in grill is designed to be installed **ON TOP** of the countertop. Do not place the grill on the cabinet shelf. Failure to comply could result in damage to the structure of this cabinet. Please review the owner's manuals for all appliances before installation and ensure the work is done by a professional in accordance with local codes.

1.1 Transport the grill to the cabinet with 2 persons.



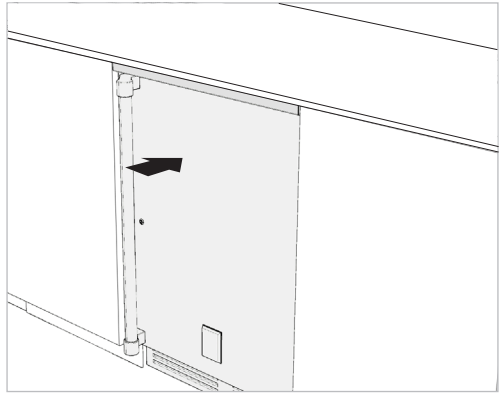
1.2 Make sure that your grill sits on the countertop and meets the notch on the front.



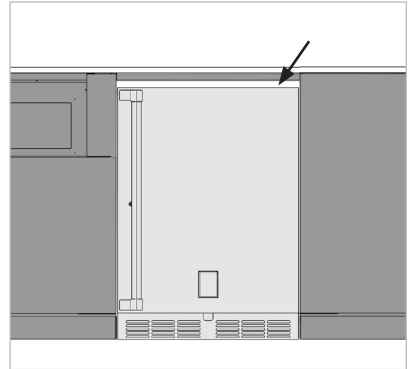
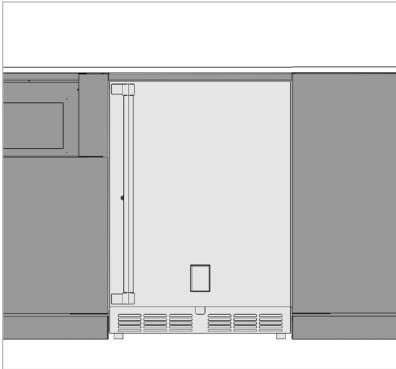
## 2. Undercounter Appliance (if applicable)

---

2.1 Slide the undercounter appliance into its opening.



2.2 If necessary, use the adjustable legs on the undercounter appliance to create a small, consistent reveal just below the top panel.

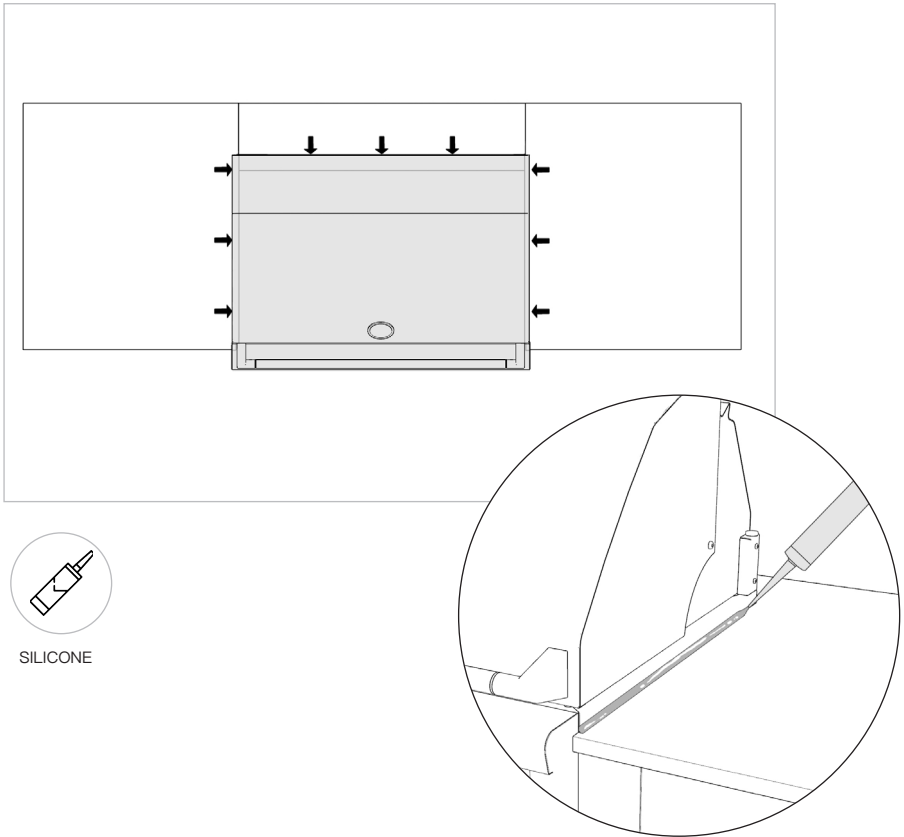


As with equipment, local codes have specific requirements and restrictions for all services. Please ensure that installation is performed by a locally licensed tradesperson.

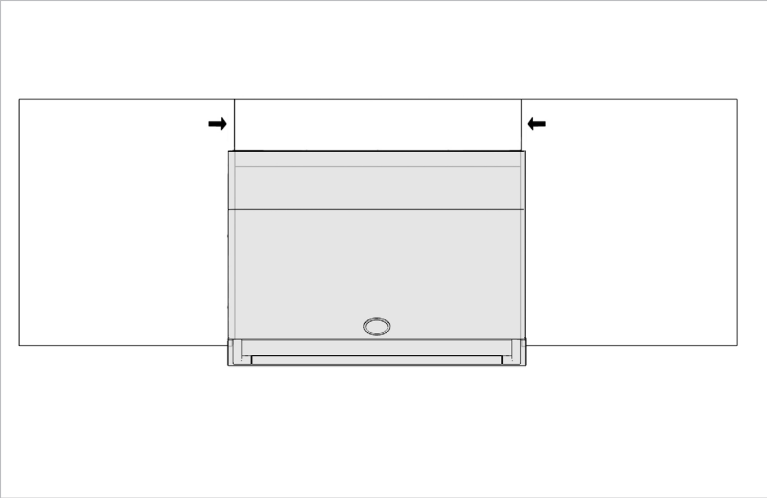
## Siliconing the Appliance and Countertop Seams

1. Seal the seams around the appliance, where it meets the countertop, using the silicone.

Having silicone around the appliance avoids unnecessary water infiltration. It also has the added benefit of keeping built-in equipment solidly in place during use, and can be easily cut through using a utility knife should the need for removing the equipment (for service, moving, or replacement) ever arise.



2. Seal the seams between counter pieces for best performance and results.



SILICONE

3. Remove any excess of silicone using a damp cloth.

# Installing the Faucet & Sink

## 1. Faucet

---

Install the faucet according to the owner's manual.

Please scan this QR code below to find the instructions.

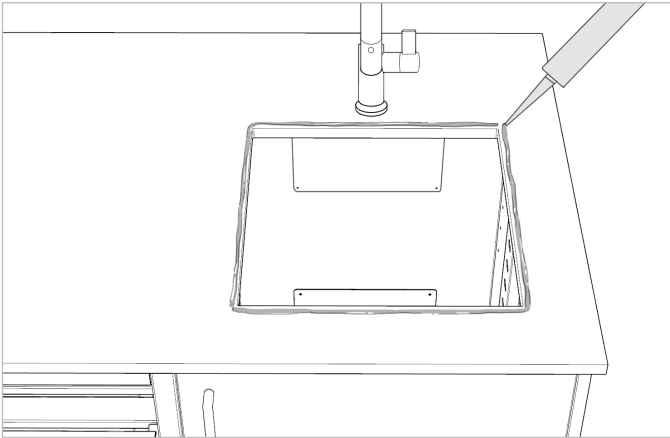




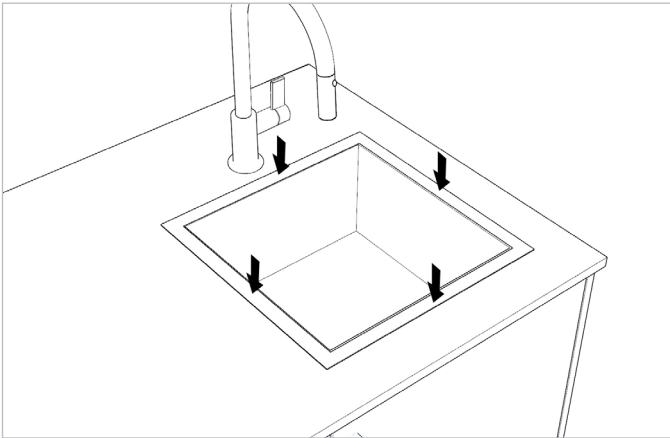
## 2. Sink

---

1. Apply a bead of silicone along the edge of the cut-out.



2. Center the sink into the opening and drop it in place. Apply even pressure to all sides.



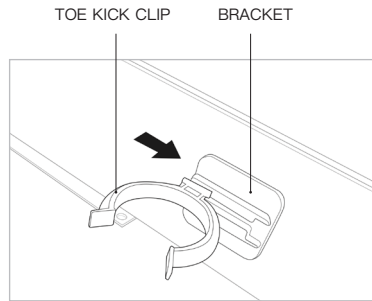
3. Remove any excess silicone with a damp cloth.

**As with equipment, local codes have specific requirements and restrictions for all services. Please ensure that installation is performed by a locally licensed tradesperson.**

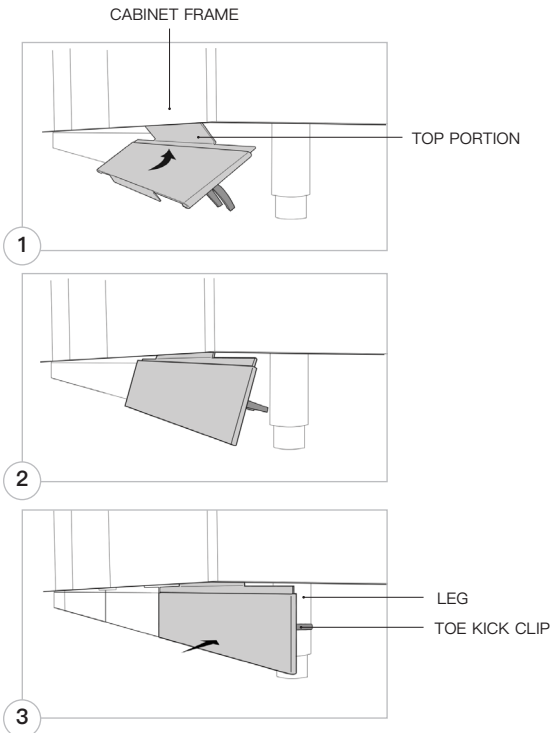
## Final Adjustments

### 1. Installing the Front Toe Kicks

1.1 Install the Toe Kick Clips to the Front Toe Kicks by sliding them into the bracket (see right image).



1.2 Attach the Front Toe Kicks by resting the top section on the bottom lip of the cabinet and then attaching the Clips to the stainless steel legs (see images below).



1 Hang the top portion of the Front Toe Kick onto the cabinet frame.

2 Rotate the assembly.

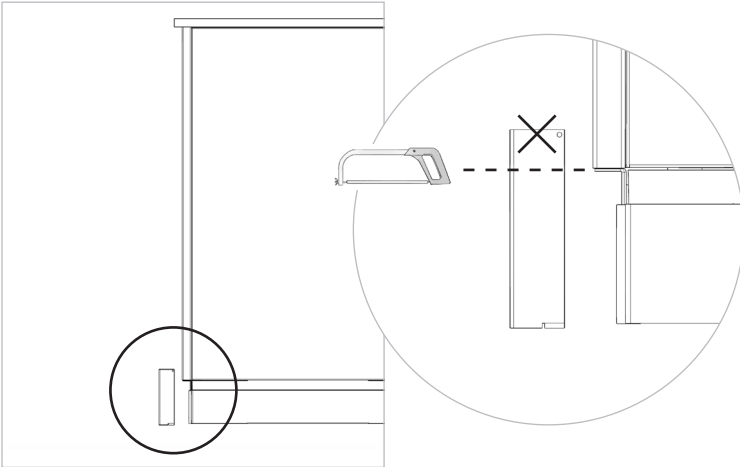
3 Toe Kick Clips attach to stainless steel legs.

1.3 Remove tape from toe kicks (including back and side toe kicks), allowing front plates to slide down to meet the ground.

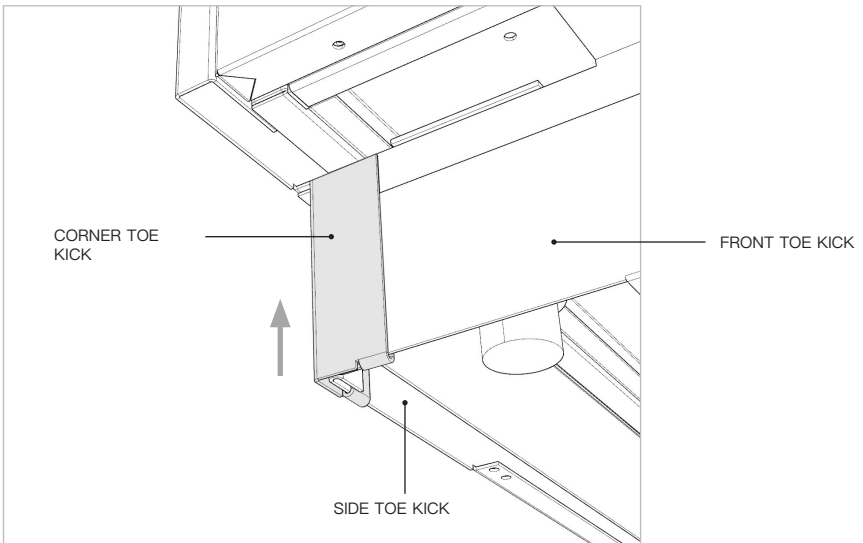
## 2. Installing the Corner Toe Kick

---

2.1 Measure Corner Toe Kick height and cut to size with **hacksaw**, keeping the lower portion.



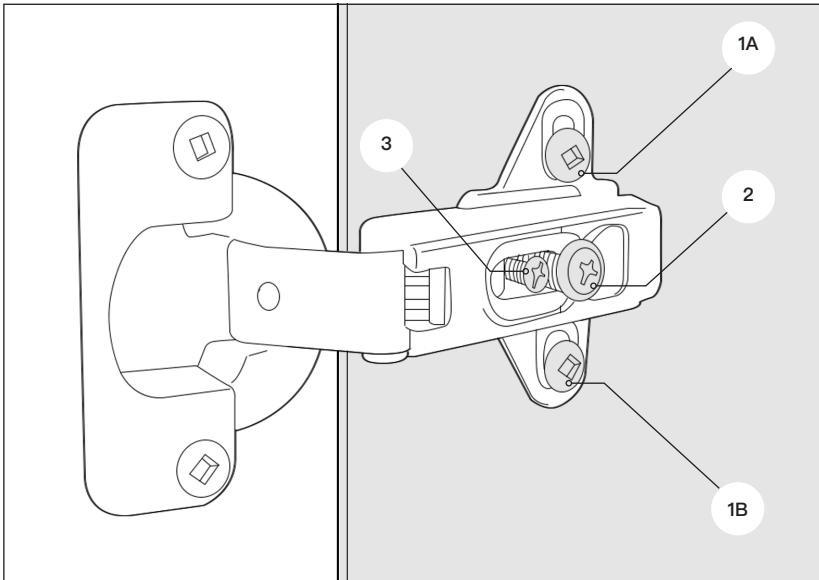
2.2 Attach the Corner Toe Kick by sliding it into the front and side toe kicks.



### 3. Adjusting Door Hinges

---

#### Overview of the Door Hinge



#### LEGEND

Screw ①A and ①B  
Moves the door up and down.

Screw ②  
Adjusts the depth or the door relative to the cabinet (i.e. moves the door in and out).

Screw ③  
Moves the door left and right.

#### 3.1 Door at Incorrect Height

---

- Loosen screws 1A and 1B on both top and bottom hinges.
- Align door at appropriate height.
- Tighten screws 1A and 1B on both top and bottom hinges.

### 3.2 Crooked Door

---

Hinges on left side, reverse instructions for right side hinges.

#### Leaning Right

Turn screw 3 counterclockwise on the top hinge OR turn screw 3 clockwise on the bottom hinge.

#### Leaning Left

Turn screw 3 clockwise on the top hinge OR turn screw 3 counterclockwise on the bottom hinge.

### 3.3 Door Too Far Left or Right

---

Hinges on left side, reverse instructions for right side hinges.

#### Too Far Left

Turn screw 3 clockwise on BOTH top hinge and bottom hinge.

#### Too Far Right

Turn screw 3 counterclockwise on BOTH top hinge and bottom hinge.

### 3.4 Door Not Closing Evenly

---

#### Magnet Not Hitting Strike Plate

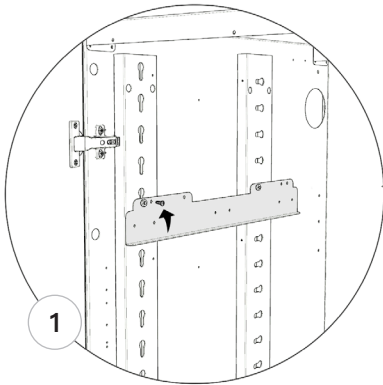
- |   |    |  |
|---|----|--|
| <ul style="list-style-type: none"><li>• Loosen screw 2 on bottom hinge.</li><li>• Pull door away from the cabinet.</li><li>• Tighten screw 2.</li></ul> | OR | <ul style="list-style-type: none"><li>• Loosen screw 2 on Top Hinge.</li><li>• Push door towards the cabinet.</li><li>• Tighten screw 2.</li></ul> |
|---|----|--|

#### Bumper Not Hitting Cabinet Frame

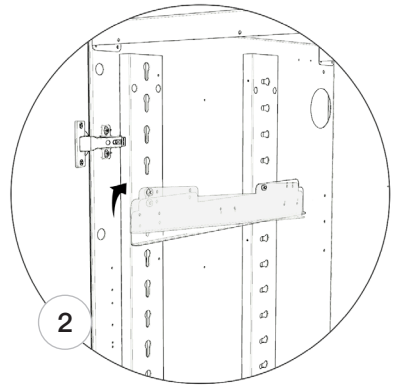
- |  |    |   |
|--|----|---|
| <ul style="list-style-type: none"><li>• Loosen screw 2 on top hinge.</li><li>• Pull door away from the cabinet.</li><li>• Tighten screw 2.</li></ul> | OR | <ul style="list-style-type: none"><li>• Loosen screw 2 on bottom hinge.</li><li>• Push door towards the cabinet.</li><li>• Tighten screw 2.</li></ul> |
|--|----|---|

## Adjusting the Accessories

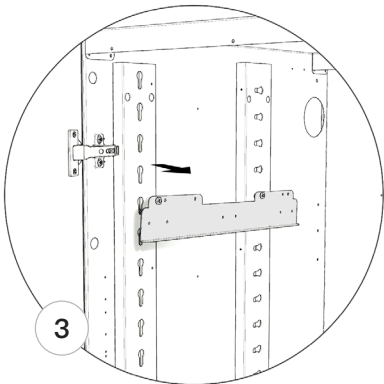
Every Urban Bonfire utility cabinet is equipped with our **Universal Track System** to allow you to install accessories such as shelves, drawers and refuse & recycling module. Here is a simple guideline of how to move the bracket along the universal track system.



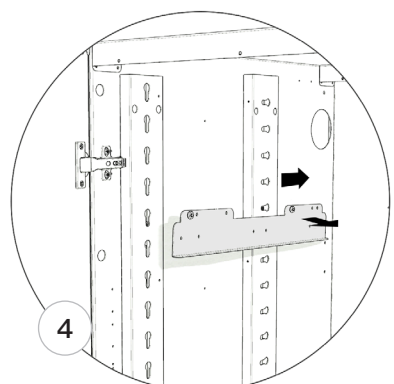
The cabinet is shipped with an additional screw at the front of the bracket, holding it in place during transport (shown above). Remove it to move the bracket along the track system.



Push upwards on the front of the bracket until the mounting screw lines up with the wide portion of the keyhole.



Pull the front of the bracket inwards to free the mounting screw from the vertical keyhole.



Slide the bracket towards the back of the cabinet and pull it out of the horizontal keyhole.

To re-install the bracket in a new location, simply reverse these steps.

# CARE AND MAINTENANCE GUIDE

To prolong the life of your Urban Bonfire cabinetry and to remain satisfied with the product, please be sure to follow the below instructions:

## Powder Coated Surfaces

---

Scheduled cleaning will benefit and extend the long lasting aesthetics of the finish.

This procedure is an integral part of the warranty given for surface finish and color retention and it will minimize the weathering effect of dirt and other airborne pollutants which tend to accumulate on the surface of the coating, dulling its appearance.

**We suggest the following guidelines:**

- Scheduled bi-annually cleaning of the coating with warm water and mild detergent solution (use as recommended) and the use of non abrasive brush or sponge.
- **To avoid possible staining, the temperature of the surface to be cleaned should not exceed 85°F (30°C).**
- For removal of oil and grease, mineral spirits and isopropyl alcohol can be used.
- The cleaning solution should not be allowed to be in contact with the powder coated surface for more than 30 minutes.
- **DO NOT use any chlorides or quaternary salts on the cabinetry.**
- **DO NOT use any hydrochloric acid (muriatic acid) on cabinetry.**
- After cleaning, the surface shall be completely rinsed-off with clean fresh water.
- A record of all cleaning schedules, frequencies and products should be kept and documented.

## Internal Components Maintenance

---

In salt air environments, regularly rinse and clean stainless steel hinges, drawer slides and handles with water. Rust speckling is normal in salt air environments and only occurs on the surface of our 304 stainless steel components. If it occurs, simply clean stainless steel surfaces with a light abrasive pad to remove the surface discoloration.

## Countertop Maintenance

---

Please take extra care when cleaning your countertop. Although solvents, such as acetone, are often recommended by counter manufacturers and fabricators, **these substances WILL DAMAGE the powder coated finish of your Urban Bonfire cabinetry.** To avoid any mishaps, we suggest using standard detergent when cleaning your countertop.



**Help us protect your investment...**

Register your product with us at [www.urbanbonfire.com/warranty](http://www.urbanbonfire.com/warranty)