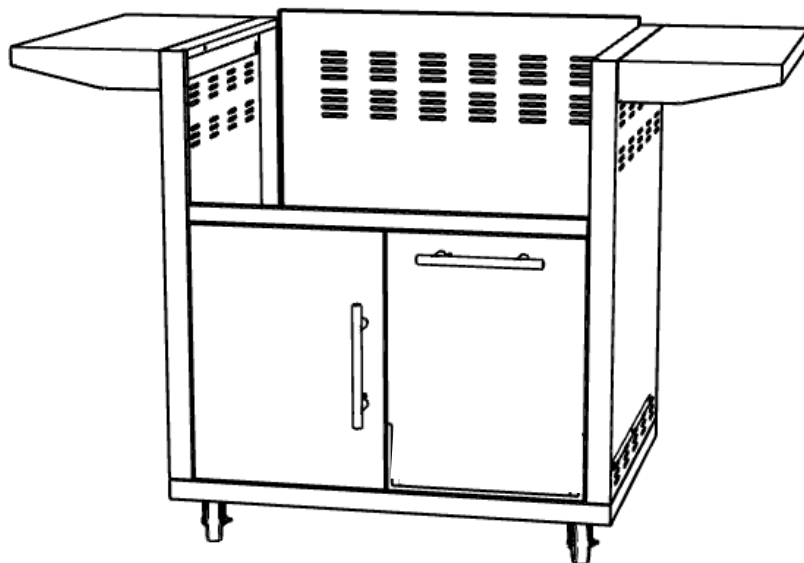




BLAZE™

OUTDOOR KITCHEN + GRILLS



PREMIUM LTE SERIES PRODUCT MANUAL

Blaze Appliance Cart

BLZ-4LTE2(NG/LP)

BLZ-GRIDDLE-LTE30-LP/NG

BLZ-5LTE3(NG/LP)

BLZ-4LTE3-(NG/LP)

BLZ-4LBM-(NG/LP)

BLZ-5LTE2-(NG/LP)



SCAN TO REGISTER



WARNING



CALIFORNIA PROPOSITION 65 WARNING: This product can expose you to chemicals including Chromium (hexavalent compounds), which are known to the State of California to cause cancer and birth defects or other reproductive harm. For more information go to: www.P65Warnings.ca.gov

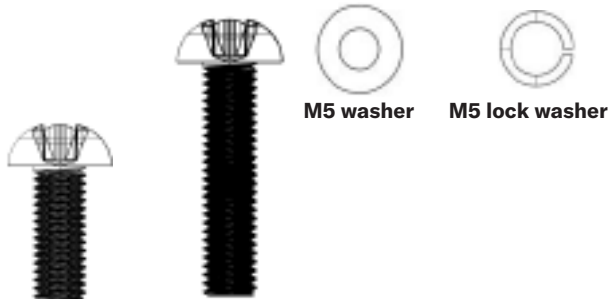


Do not use power tools to assemble. Only use hand tools, as power tools can damage or loosen the nutsert.

Tools Needed: #2 Phillips Head Screw Driver – “Not Included”



hardware needed "included"



M5 x 12 mm M5 x 24 mm

Before getting started:

Unpack and lay out all of the included parts. Most of the stainless steel pieces come with a protective film. Remove all of the plastic film and pay no attention to the print on the film as it has nothing to do with the assembly instructions.

Take caution with the stainless steel components as to not scratch them during the assembly process. Use a non-aggressive surface and protect the stainless steel as best as possible. The foam and box can be used to place the stainless steel parts on to prevent scratching. - (77) M5 x 12 mm screw will be paired with a M5 lock washer.

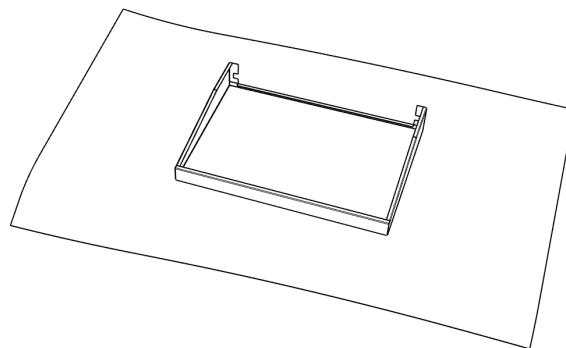
Use M5 flat washer and lock washer for

installing the casters to the base. All other connections will be made with a screw only.

NOTE - screws for the door handles are smaller and those are packaged with the handles them self.

(2) M5 x 24 mm - are to be used last and are for securing BBQ to cart.

The appliance is to be placed into the cart after all instructions have been followed and all screws have been tightened.



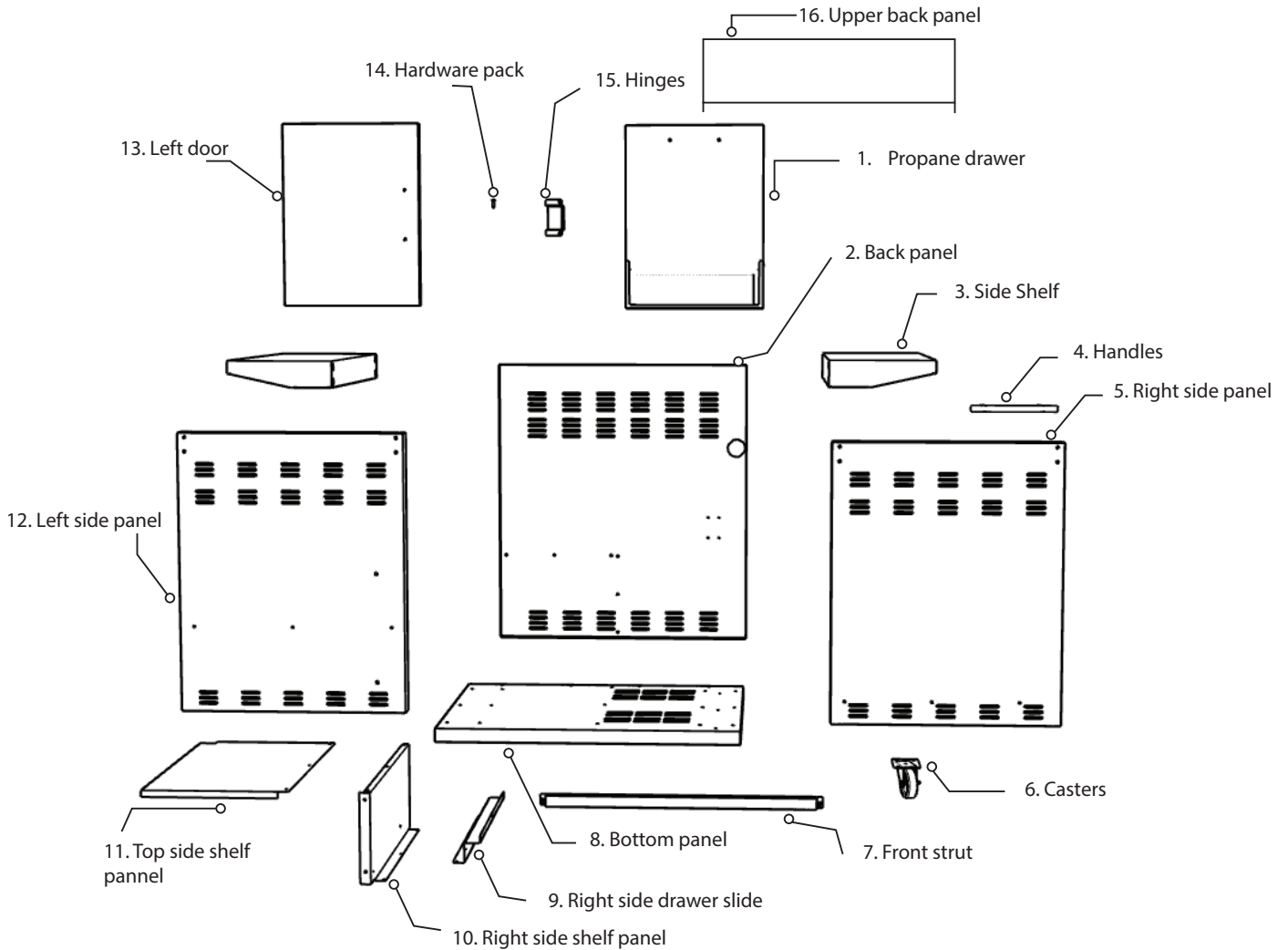
Be sure to place your parts on a protected surface such as a towel or blanket to prevent scratching.



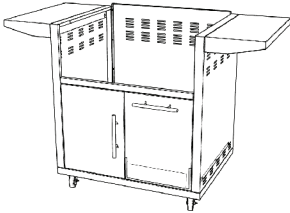
Blaze 32" LTE Grill cart

Blaze 32" LTE+ Grill cart

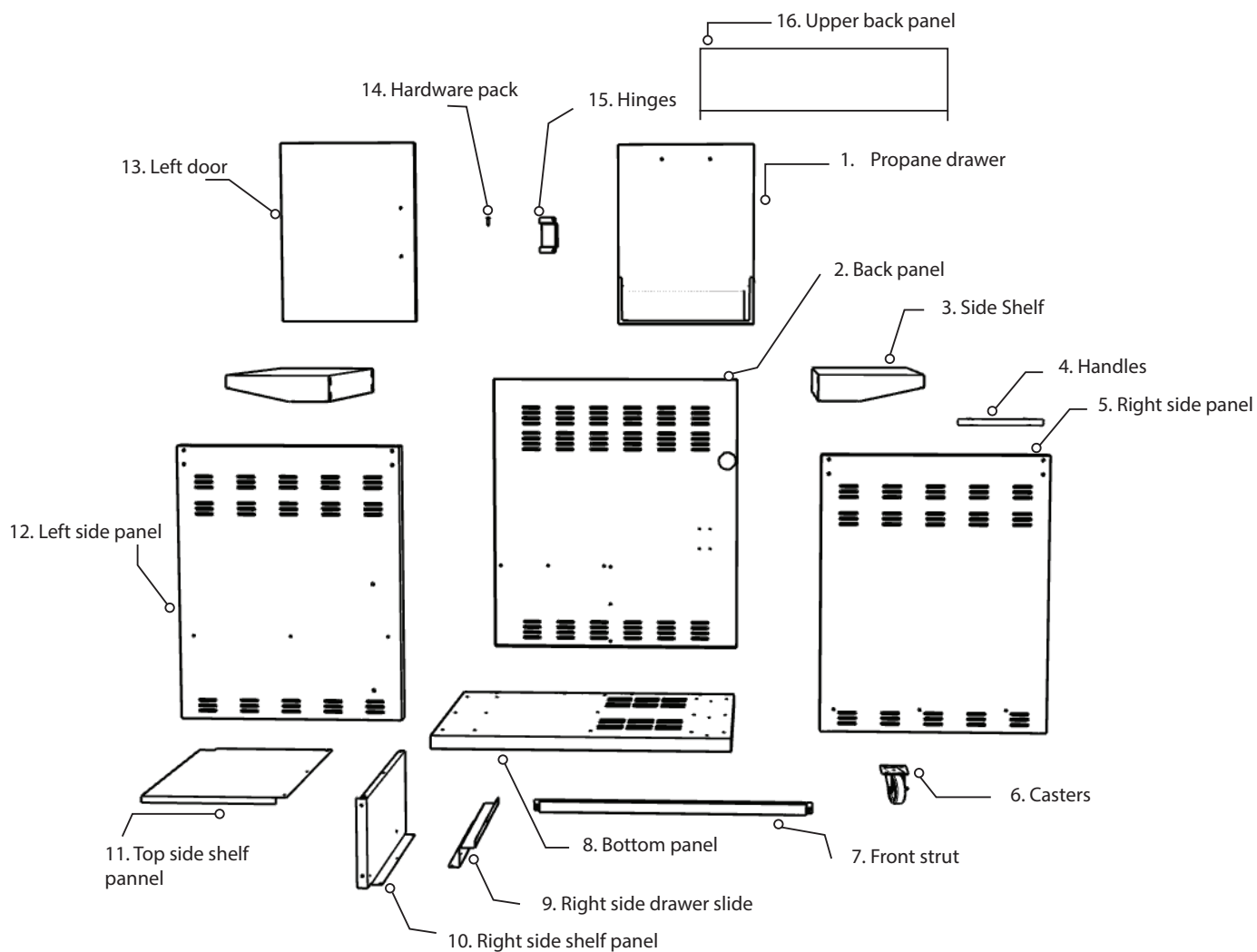
Blaze 32" LBM Grill cart



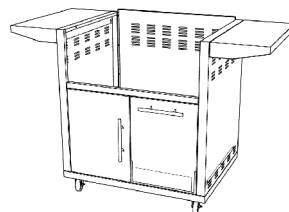
Blaze Part Number: Reference Guide			
1. BLZ-32C-025SC	10. BLZ-32C-028SC		
2. BLZ-32C-024SC	11. BLZ-32C-029SC		
3. BLZ-32C-016	12. BLZ-32C-023LS SC		
4. BLZ-D/DR-2	13. BLZ-32C-030SC		
5. BLZ-32C-023RS SC	14. BLZ-CART-HARDWARE		
6. BLZ-32C-022	15. BLZ-AD32-007		
7. BLZ-32C-004	16. BLZ-32C-031SC		
8. BLZ-32C-026SC	17.		
9. BLZ-32C-027SC			



Blaze 30" Griddle cart



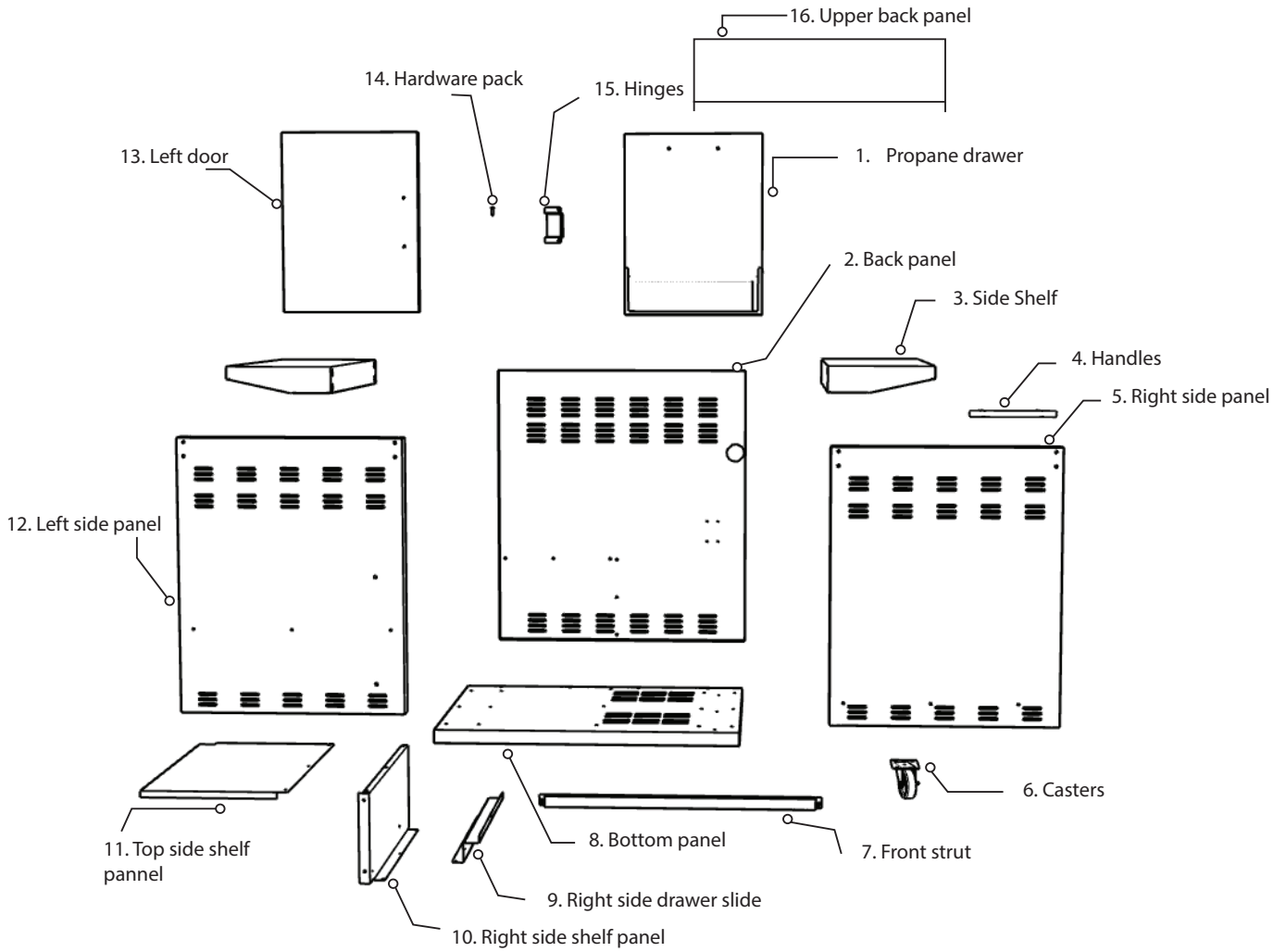
Blaze Part Number: Reference Guide			
1.	BLZ-GRIDDLECART-012	10.	BLZ-GRIDDLECART-015
2.	BLZ-GRIDDLECART-005	11.	BLZ-GRIDDLECART-014
3.	BLZ-GRIDDLECART-011	12.	BLZ-GRIDDLECART-007
4.	BLZ-D/DR-2	13.	BLZ-GRIDDLECART-009
5.	BLZ-GRIDDLECART-008	14.	BLZ-CART-HARDWARE
6.	BLZ-32C-022	15.	BLZ-AD32-007
7.	BLZ-GRIDDLECART-004	16.	BLZ-GRIDDLECART-016
8.	BLZ-GRIDDLECART-006	17.	
9.	BLZ-GRIDDLECART-013		





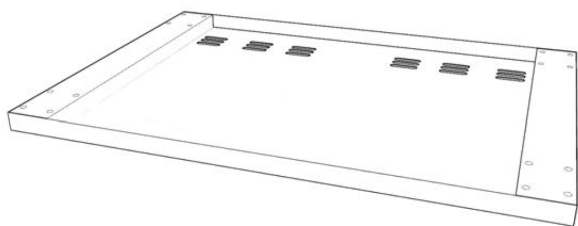
Blaze 40" LTE Grill cart

Blaze 40" LTE+ Grill cart

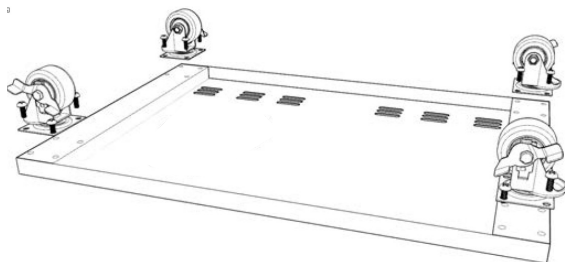


Blaze Part Number: Reference Guide			
1. BLZ-40C-019SC	10. BLZ-40C-022SC		
2. BLZ-40C-0165C	11. BLZ-40C-023SC		
3. BLZ-32C-016	12. BLZ-32C-023LS SC		
4. BLZ-D/DR-2	13. BLZ-40C-020SC		
5. BLZ-32C-023RS SC	14. BLZ-CART-HARDWARE		
6. BLZ-32C-022	15. BLZ-AD32-007		
7. BLZ-40C-0175C	16. BLZ-40C-024SC		
8. BLZ-40C-0185C	17.		
9. BLZ-40C-021SC			

STEP 1: Flip the panel upside down on a protected surface, exposing the four locations where the casters attach. There are two runners on the bottom cart panel with four nutserts (female threaded inserts that a screw goes into) at each end of each runner. This is where the casters will be installed.

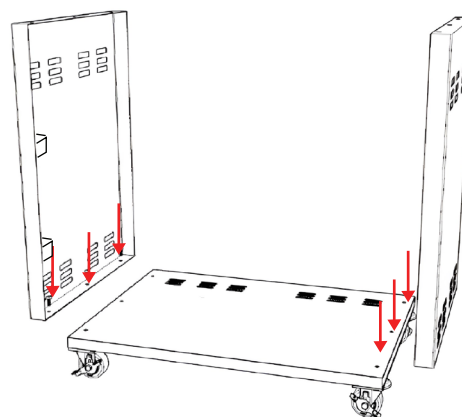
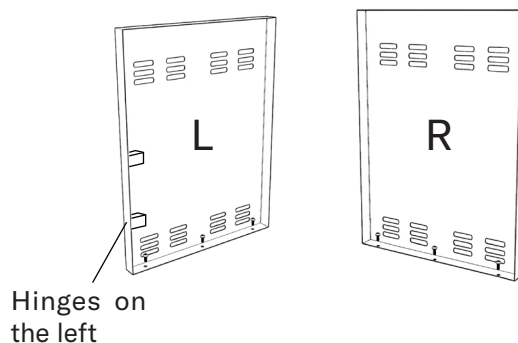


STEP 2: Attach the four casters. Use the locations described above and tighten them completely. Once complete, lock the locking casters, then turn the bottom panel right side up.

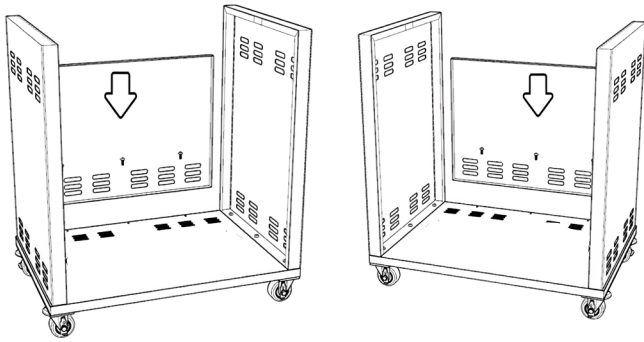


For the remainder of the grill cart assembly, the use of a second person is recommended to make the process easier.

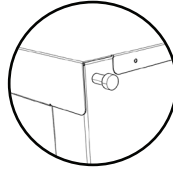
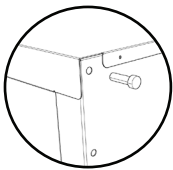
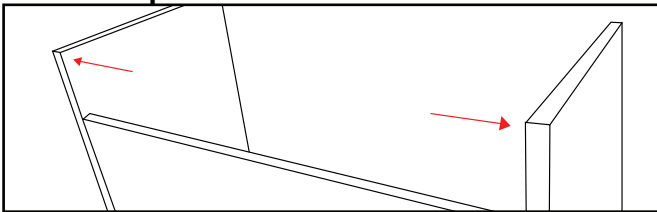
STEP 3: Attach the right and left side cart panels. The right and left side panels can be identified as follows. The top rail of each side cart panel is a solid surface with no openings for anything to screw down into. The bottom sides have three openings per panel for screws, which are used to attach to the bottom cart panel. The front side of each cart panel has a cluster of three nutserts within 1.5 inches of each other, which will attach to the front strut assembly. Attach both the left and right side panels to the bottom cart panel using three screws per side. Do not completely tighten.



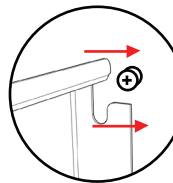
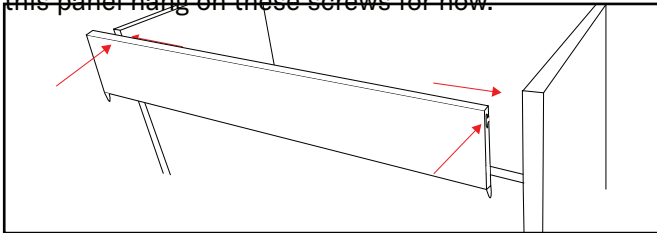
STEP 4: Attach Bottom Back Panel - The bottom back panel is first secured to the bottom cart panel with screws. (The bottom of the panel has openings for screws to go through; see the diagram.) The number of screws used varies by the size of the grill cart you are assembling. Attach but do not tighten. Next, secure the back panel. Attach to side walls before adding top bar.



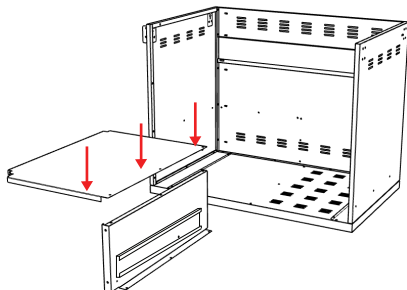
STEP 5: Attach the upper two screws on the back side panel, but do not fully tighten them until the cart is fully assembled. Then attach the side panels to the lower back panel.



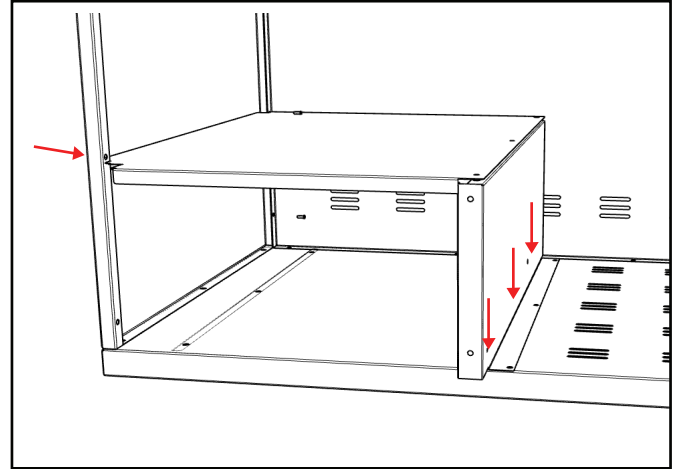
STEP 6: Slide the back panel on left and right screws but located on the side panels do not tighten them let this panel hang on these screws for now.



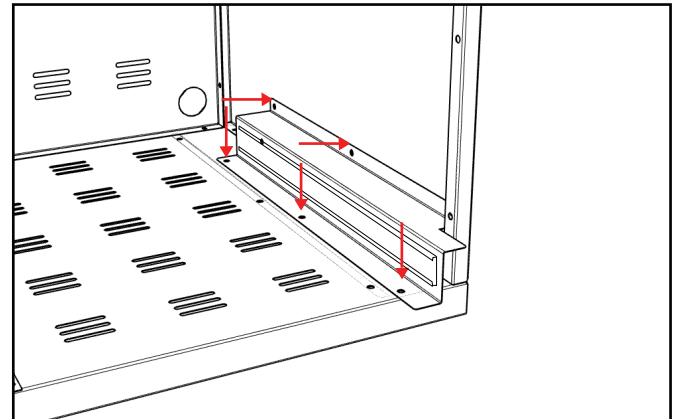
STEP 7: Attach the upper shelf panel to the right shelf



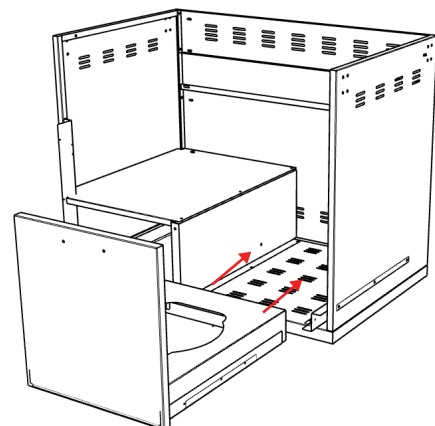
STEP 8: Attach the shelf to the interior of the appliance cart using six screws: three on the interior of the cart and three on the exterior.



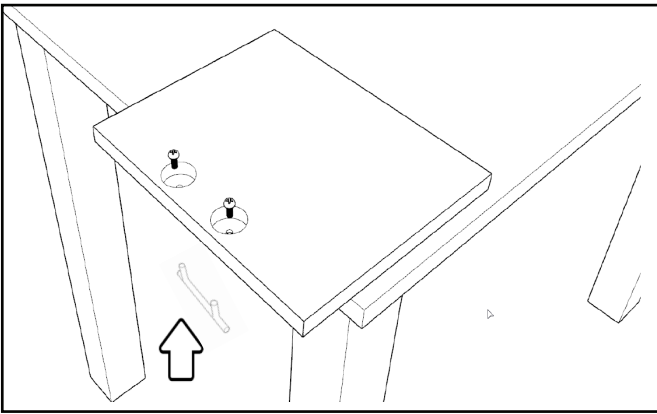
STEP 9: Attach the right-side drawer slide to the lower right side of the cart.



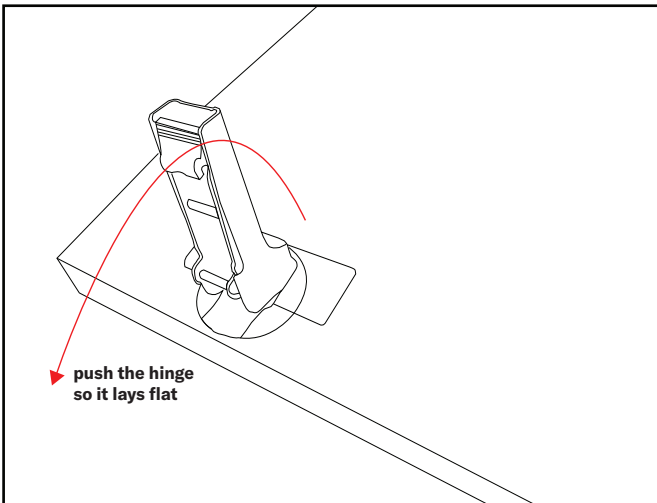
STEP 10: Slide in the propane pull out.



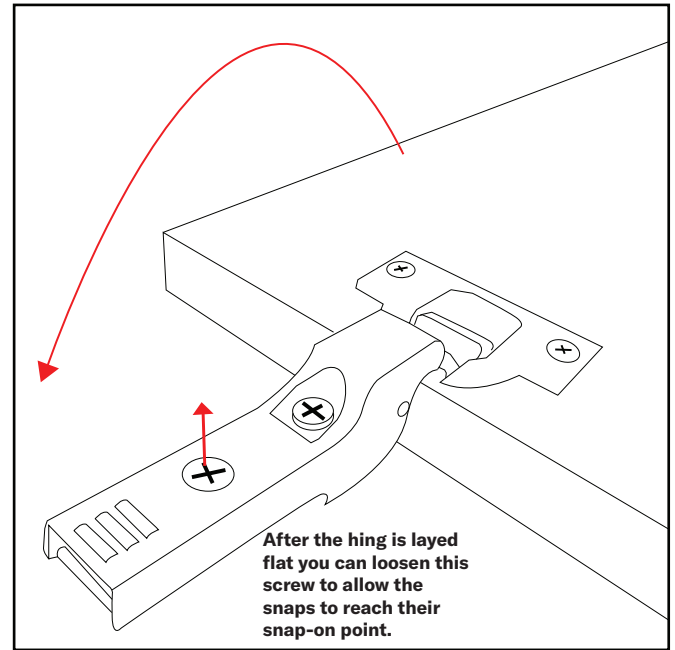
STEP 11: Attach door handles to the doors - The door handles and hardware are packaged separately from the rest of the hardware. Each handle is attached to the door with two M6x8 screws. To avoid scratching the doors, lay them on a soft surface. Hint: While the door is on a soft surface on a work area, such as a table, position the door off the edge just enough to expose the handle screw holes. Place the screw in your screwdriver and guide it into the hole on the door. Once positioned, move the handle to the screw and begin threading it slightly. This allows flexibility for attaching the second screw. Once both screws are in place, tighten completely.



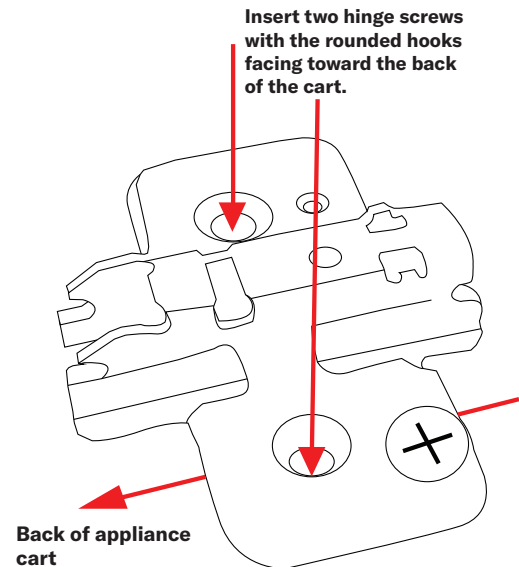
STEP 12: To attach the soft-close hinges to the cart, start by flattening the hinges and loosening the adjustment screw.



STEP 13: Then loosen the adjustment screw.

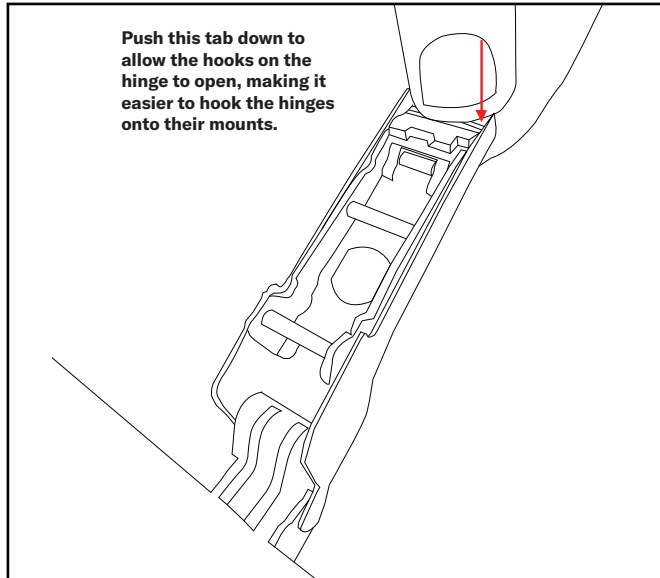


STEP 14: To attach the soft-close hinge mounts to the cart as shown.

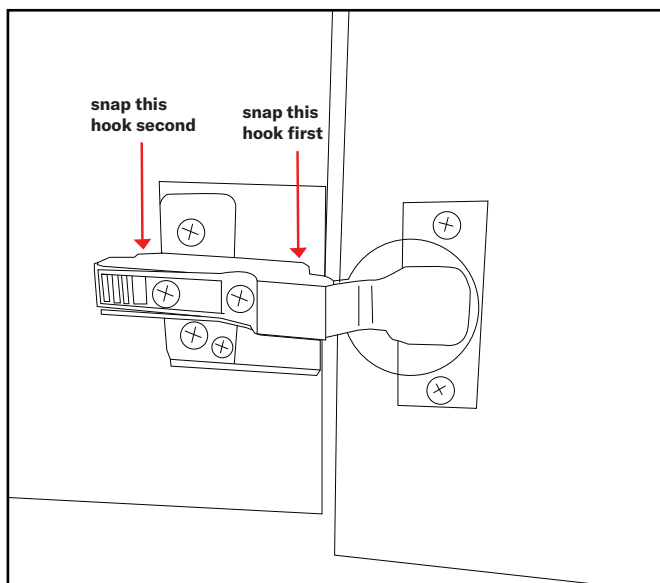




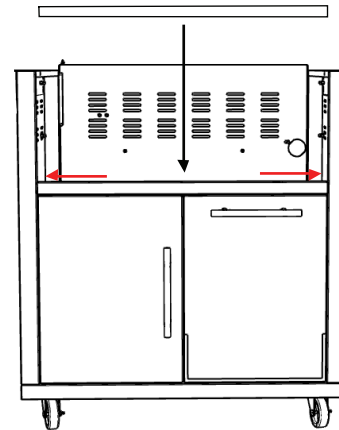
STEP 15: To attach the soft-close hinge, snap one hinge at a time onto the hinge mounts, hooking the front hook first, then pushing down the back until you hear a click. This may take multiple tries, and you may need to loosen the adjustment screw.



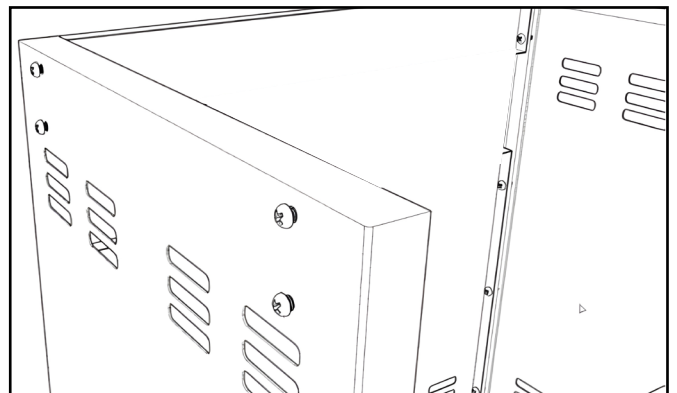
Pushing this tab while trying to snap the hinge on will help the hinge have enough clearance to snap into place.

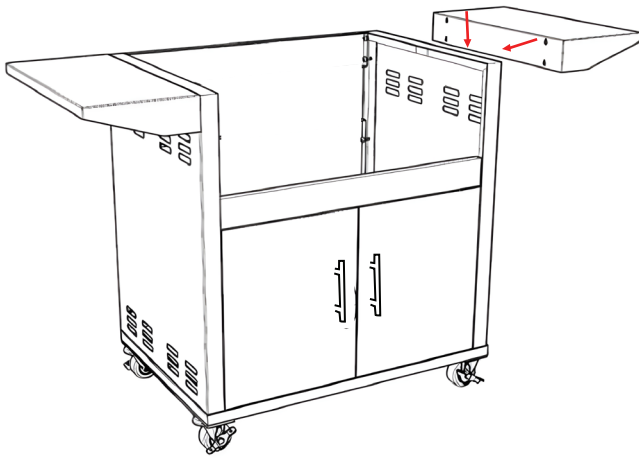


STEP 16: The front strut will be attached next with four screws, two on each side.



STEP 17: Attach side shelves - four screws per shelf are used to attach them to the right and left side panels. Both shelves are exactly the same and can be used on either side. Start all four screws into the side panel, as the shelf can then simply be placed over the screws and pushed downward into place. Once in position, tighten completely.

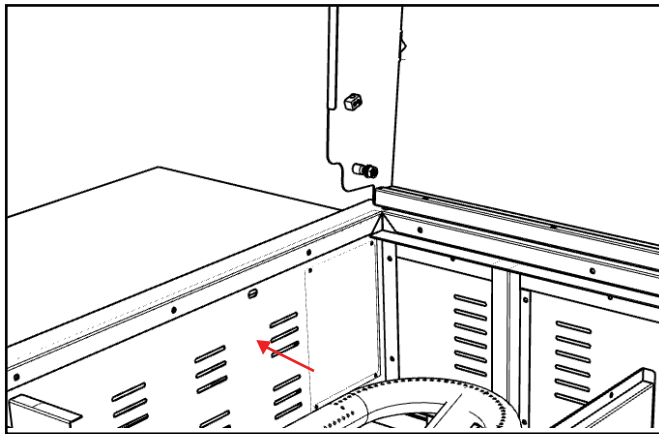
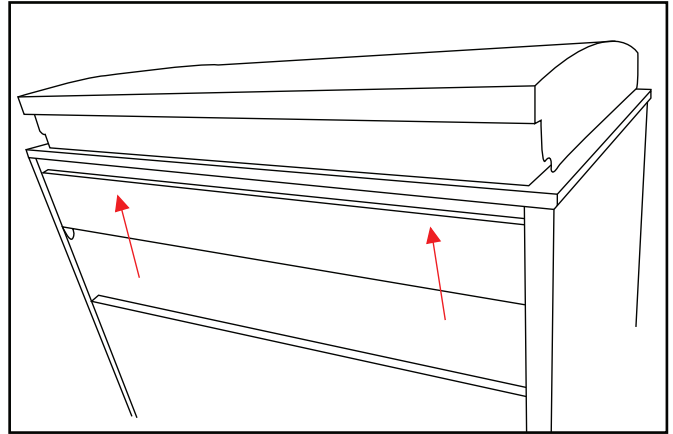




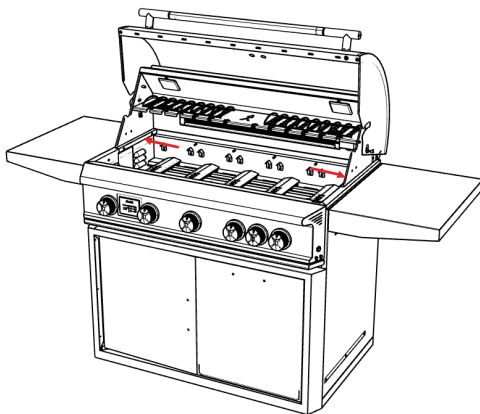
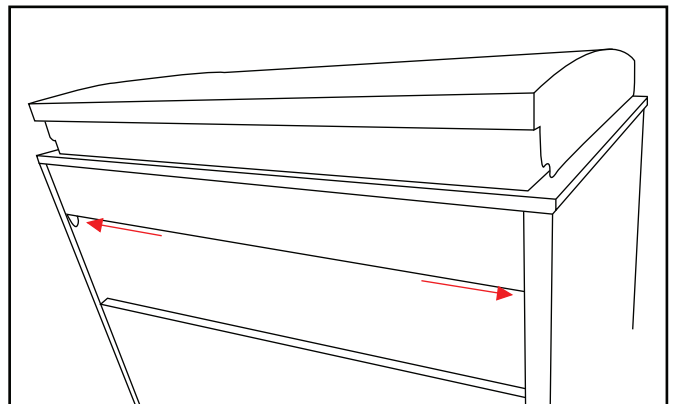
If you are installing a griddle into your cart the griddle will not have attachment screws.

STEP 19: (For both griddle and grill) once your appliance is in place push upper back panel into the slot on the back of the grill to lock it in place.

STEP 18 (Grill): The appliance is placed into the cart and attached with two screws. Always use a partner when lifting the appliance, and removing the internal parts above the burners can help reduce the weight, making it easier to lift. With the cooking grids still removed, you will notice an opening toward the front left and right sides on the inside of the grill body. One screw per side goes through the inside of the grill and attaches to the grill cart. Tighten these screws, but do not over-tighten.



STEP 20: Put locking screws in each side of the back panel.



STEP 21: Tighten all screws.



Please leave these instructions with the consumer.

Please read and retain these instructions for future reference and before installation or operation.

Contact Us:

Blaze

6620 Greenwell Springs Rd
Baton Rouge, LA 70805

Phone: 866-976-9510

customerservice@blazegrills.com

Contact Us:

 @Blazegrills

 @Blaze_Grills

 @BlazeOutdoorProducts