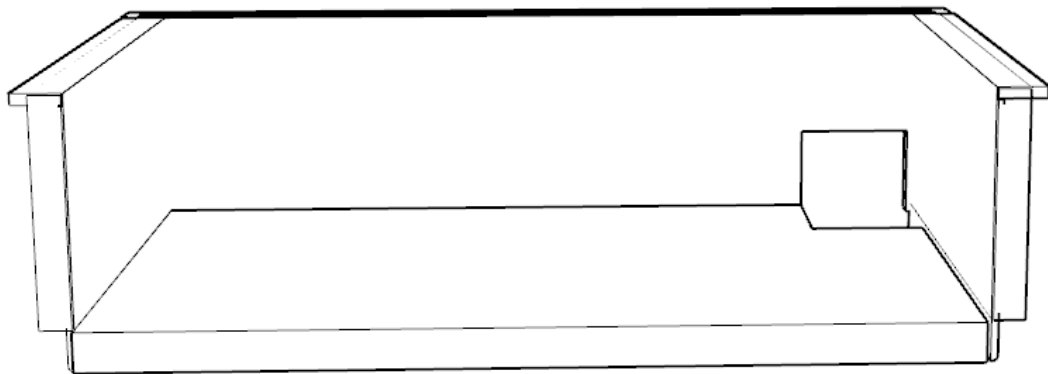




BLAZE™

OUTDOOR KITCHEN + GRILLS



PREMIUM LTE SERIES PRODUCT MANUAL

Blaze Appliance Insulated Jacket



SCAN TO REGISTER

BlazeGrills.com



WARNING



CALIFORNIA PROPOSITION 65 WARNING: This product can expose you to chemicals including Chromium (hexavalent compounds), which are known to the State of California to cause cancer and birth defects or other reproductive harm. For more information go to: www.P65Warnings.ca.gov



Do not use power tools to assemble. Only use hand tools, as power tools can damage or loosen the nutsert.

Tools Needed: #2 Phillips Head Screw Driver – “Not Included”

hardware needed "included"

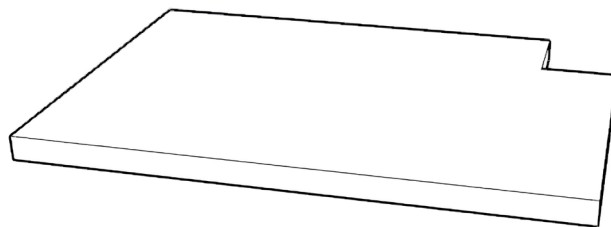


(12) M5 x 25 mm

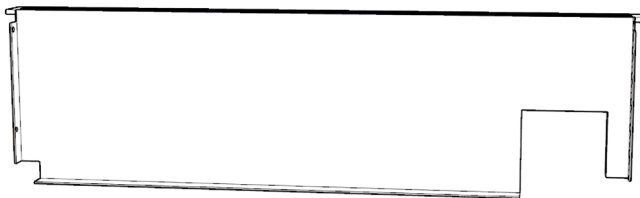
Before getting started:

Unpack and lay out all of the included parts. Most of the stainless steel pieces come with a protective film. Remove all of the plastic film and pay no attention to the print on the film as it has nothing to do with the assembly instructions.

Take caution with the stainless steel components as to not scratch them during the assembly process. Use a non-aggressive surface and protect the stainless steel as best as possible. The foam and box can be used to place the stainless steel parts on to prevent scratching.



Bottom Panel



Back Panel



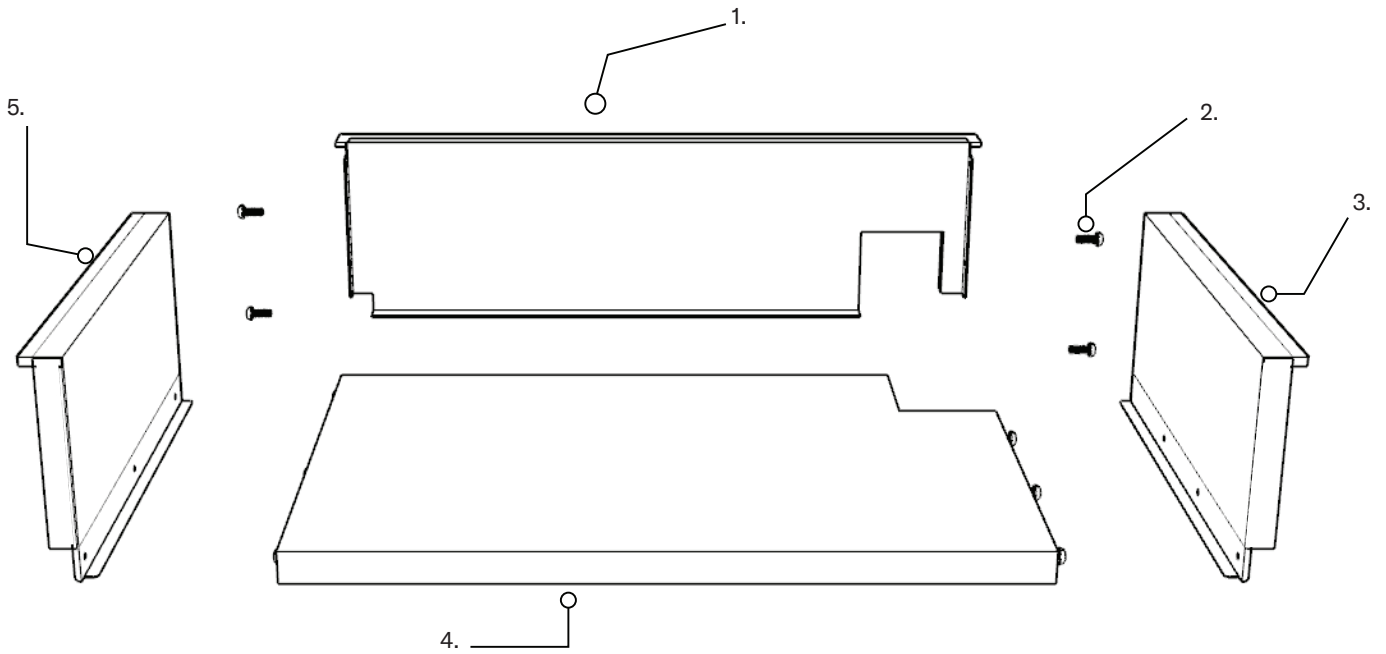
Right Side Panel



Left Side Panel

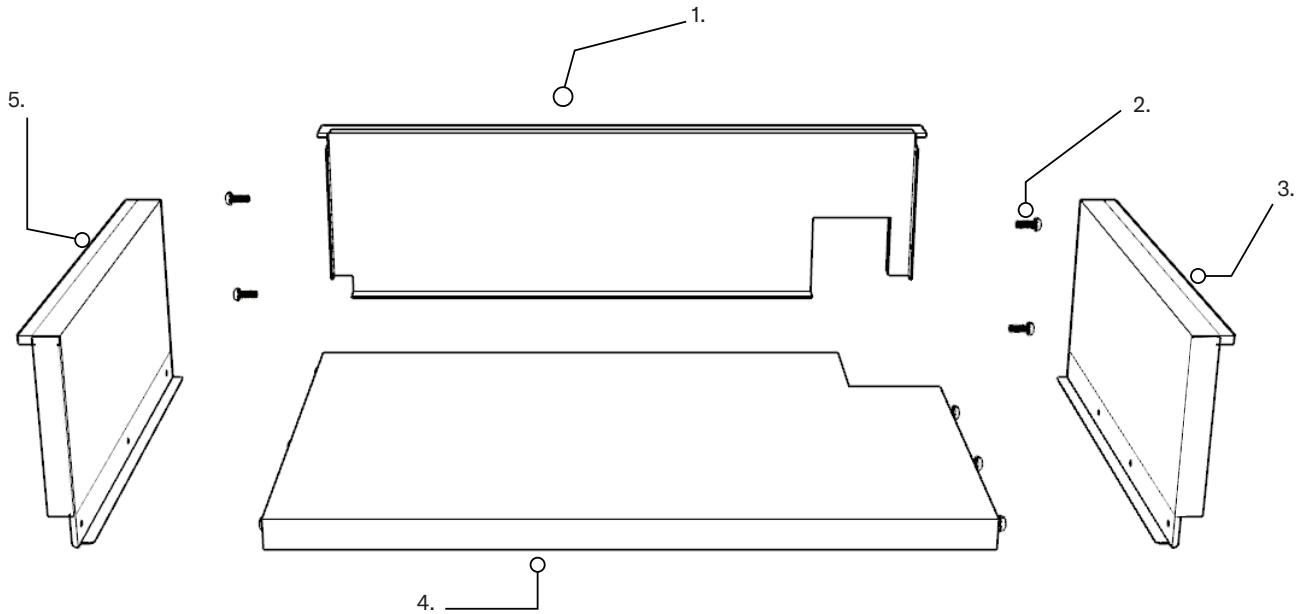


32" LTE Grill Insulated Jacket



Blaze Part Number: Reference Guide				
1.	BLZ-4UJ2-001	10.		
2.	BLZ-4UJ-005	11.		
3.	BLZ-4UJ2-002	12.		
4.	BLZ-4UJ2-003	13.		
5.	BLZ-4UJ2-004	14.		
6.		15.		
7.		16.		
8.		17.		
9.				

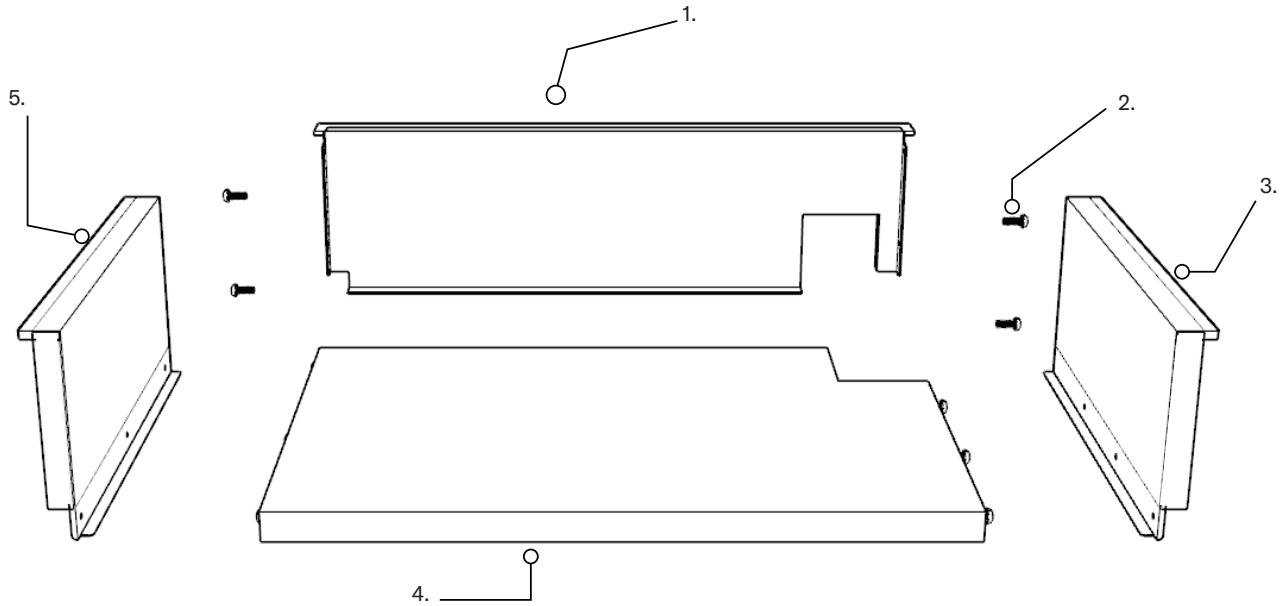
40" LTE Pro Grill Insulated Jacket



Blaze Part Number: Reference Guide				
1.	BLZ-5UJ2-001	10.		
2.	BLZ-4UJ-005	11.		
3.	BLZ-5UJ2-002	12.		
4.	BLZ-5UJ2-003	13.		
5.	BLZ-5UJ2-004	14.		
6.		15.		
7.		16.		
8.		17.		
9.				

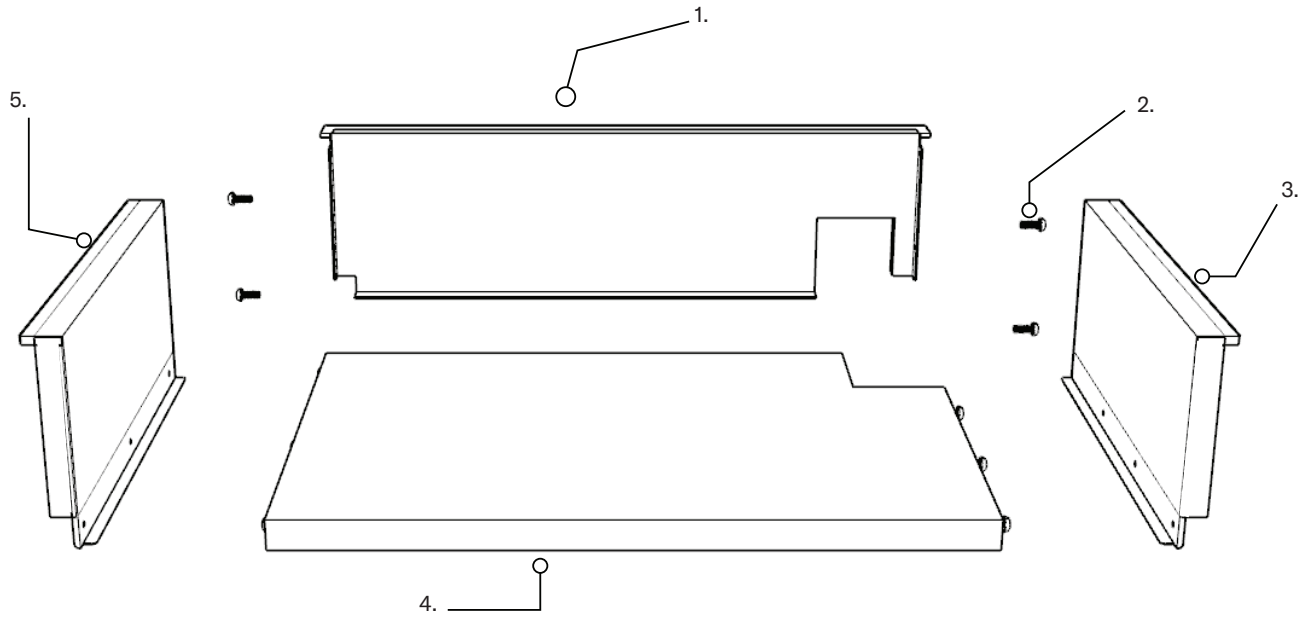



30" LTE Griddle Insulated Jacket



Blaze Part Number: Reference Guide				
1.	BLZ-GRIDDLEJ-002	10.		
2.	BLZ-4U-005	11.		
3.	BLZ-GRIDDLEJ-004	12.		
4.	BLZ-GRIDDLEJ-001	13.		
5.	BLZ-GRIDDLEJ-003	14.		
6.		15.		
7.		16.		
8.		17.		
9.				

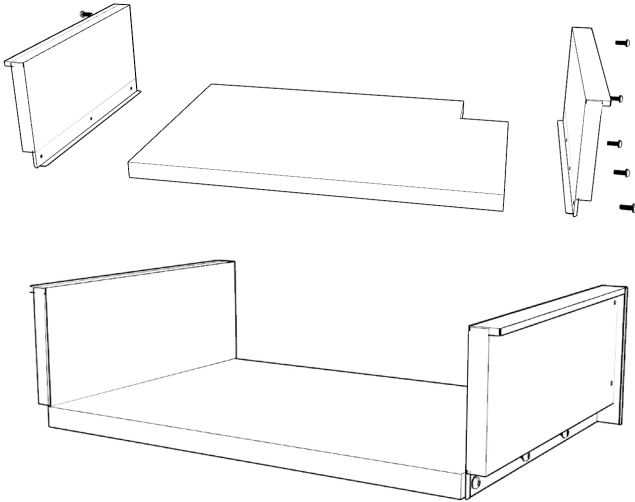
40" LTE Pro Griddle Insulated Jacket



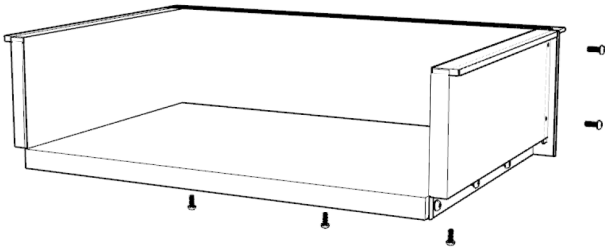
Blaze Part Number: Reference Guide				
1.	BLZ-GRIDDLE40U-001	10.		
2.	BLZ-4U-005	11.		
3.	BLZ-GRIDDLE40U-002	12.		
4.	BLZ-GRIDDLE40U-003	13.		
5.	BLZ-GRIDDLE40U-004	14.		
6.		15.		
7.		16.		
8.		17.		
9.				



STEP 1: Align the right side panel up with the bottom panel so the holes in each panel are aligned. Using (6) M5x 12 screws, attach the two panels. Repeat for step for left side panel.



STEP 2: Align the back panel up with the bottom panel and two side panels. Align the holes and fasten with provided (7) M5 x 12 screws.



STEP 3: The (2) M5 x 25 screws are used to secure the grill head to the provided holes on the inside of each side panel of the insulated jacket

Please leave these instructions with the consumer.

Please read and retain these instructions for future reference and before installation or operation.

Contact Us:

Blaze

6620 Greenwell Springs Rd
Baton Rouge, LA 70805

Phone: 866-976-9510

customerservice@blazegrills.com

Contact Us:

 @Blazegrills

 @Blaze_Grills

 @BlazeOutdoorProducts